

CWL-200L, CWL-301L

200-300 kg



▲ CWL-200L

Best solution for wind energy turbines for efficient and economical operation at great heights.

- Lightweight and compact design for easy installation
- Double mechanical ratchets brake provide instant and safe braking
- Operates on standard household power supply
- Wire rope comes with a safety-latch weight hook
- Enclosed drum flanges to prevent rope becoming trapped between drum and support castings
- Emergency stop function switch is available upon request

SPECIFICATIONS

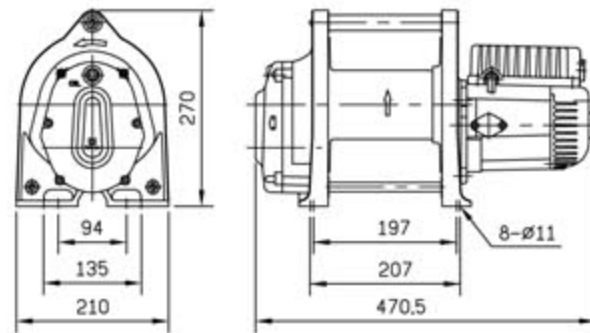
MODEL	CWL-200L	CWL-301L
Lifting capacity kg wire rope top layer	200	300
Lifting speed, m/min	11	16
Motor rating IP44	1.2 kw x 12 A	-
output, 1ph, 110V	1.5 kw x 7.5 A	2.3 kw x 11 A
kw x Amp	1ph, 220-240V	
Gear ratio	240:1	110:1
Maximum lifting height, m	69	58
Braking methods	for motor for gear	Electromagnetic Double mechanical ratchets
Wire rope w/hook	size, mm x m construction breaking strength, kg weight hook	6 x 19 2,010 CHW-0031
Drum dimension, mm	length drum dia. flange dia.	147 95 190
Mounting bolts pattern, mm x mm		197 x 94 207 x 135
Standard accessory	weight hook remote control power lead	* * 1.5 mm ² 3C x 3 m and industry plug
Net weight, kg (standard version)	33	40
Gross weight, kg	35	42
Body dimension, mm (L x D x H)	407.5 x 210 x 270	556 x 210 x 270
Box dimension, mm (L x D x H)	545 x 395 x 350	630 x 395 x 350

Note: 1. Above performance ratings are based on 50Hz supply.
(60Hz motor available as option resulting in a reduction of lifting capacities by 20% and a speed increase of 20%)
2. *** Means standard version

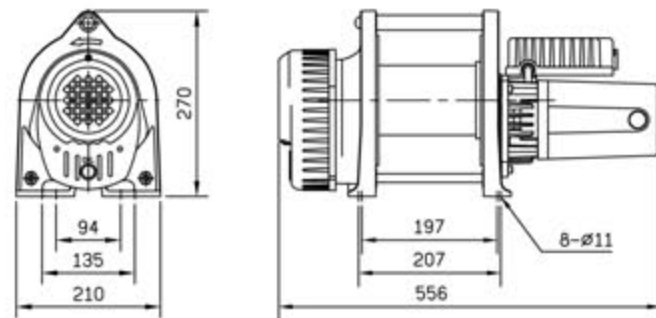
SOLUTION for REMOTE CONTROL (CWL-200L)

- * Remote control, CPB-313
 - Switch cord 1.25 mm² x 6C x 10 m
 - Pendant switch CPB-313
- Remote control, PB-417
 - Switch cord 1.25 mm² x 6C x 10 m
 - Pendant switch PB-417 w/an emergency stop button

DIMENSION mm/in (CWL-200L)



DIMENSION mm/in (CWL-301L)



SOLUTION for REMOTE CONTROL (CWL-301L)

- * Remote control, CPB-313
 - Switch cord 2.0 mm² x 6C x 10 m
 - Pendant switch CPB-313
- Remote control, PB-417
 - Switch cord 2.0 mm² x 6C x 10 m
 - Pendant switch PB-417 w/an emergency stop button

Longer Rope Compact Winch

110V or 220V-240V x 1ph AC (CWL-200L)
220V-240V x 1ph AC (CWL-301L)



▲ CWL-301L

PERFORMANCE DATA

MODEL	Level Surface	Pulling load capacity for various inclines in kg				
		Gradient % inclines / angle in degrees				
		10%6°	20%11°	40%22°	60%31°	80%39°
CWL-200L	1,670	890	650	410	320	280
CWL-301L	2,500	1,340	970	620	490	410

- All rating are based on the top layer. For each layer reduction on the drum pulling capacity is increased by 10%
- Use a snatch block for double line operation, to increase line pull by approximately 85%
- The pulling capacities are based on a pulling load and 15% has been allowed for friction (specific applications will vary)

MODEL	CWL-200L			
	Layer of Wire Rope	Lifting Capacity kg	Lifting Speed m/min	
			Total Rope on the Drum, m	
	1 st	320	11	8.9
	2 nd	291	11.6	18.7
	3 rd	267	12.6	29.4
	4 th	246	13.7	41
	5 th	229	14.7	53.5
	6 th	213	15.8	66.9
	7 th	200	16	71

MODEL	CWL-301L			
	Layer of Wire Rope	Lifting Capacity kg	Lifting Speed m/min	
			Total Rope on the Drum, m	
	1 st	478	16	7.5
	2 nd	427	17.7	15.8
	3 rd	386	19.6	25
	4 th	353	21.5	35.1
	5 th	324	23.4	46.1
	6 th	300	25	60

Note: Above performance ratings are based on 50Hz supply.

H-2500

2,500 kg

Cable Puller

110V, 220V-240V x 1ph AC



- Dual pulling capacities of 2,500 kg and 1,500 kg
- Dual speeds vary according to drum size
- A overload protection switch ensure automatic shut-off
- Electromagnetic spring-apply failsafe brake
- Heavy duty high efficiency ball bearings on all running surfaces
- Rugged high power induction motor of proven reliability
- Case hardened gear train for maximum mechanical efficiency
- Suitable for continuous pulling to tackle the toughest wall, ground and underground pulling applications

SPECIFICATIONS

MODEL	Large drum	Small drum
Pulling capacity kg	1,500	2,500
Rope speed m/min	4.0	2.5
50 Hz	5.0	3.0
60 Hz		
Gear train	hypoid gear plus spur gears	
Gear ratio	154:1	
Motor rating IP44, kw x p	0.6 x 4	
Drum dimension, mm	length drum dia. flange dia.	124 130 150
		104 74 94
Percentage duty cycle	25%ED	
Cable puller weight, kg	60	
Gross weight, kg	83	
Body dimension, mm (L x D x H)	457 x 362 x 267	
Box dimension, mm (L x D x H)	610 x 720 x 500	

STANDARD ACCESSORIES

- Rope arm
- Base plate
- Wire rope 8 mm x 50 m
- Detachable rope storage roller
- Foot control kit with 2.0 mm² x 3C x 2 m lead
- Power lead comes with 1.5 mm² x 3C x 3 mm and plug

DIMENSION mm/in

