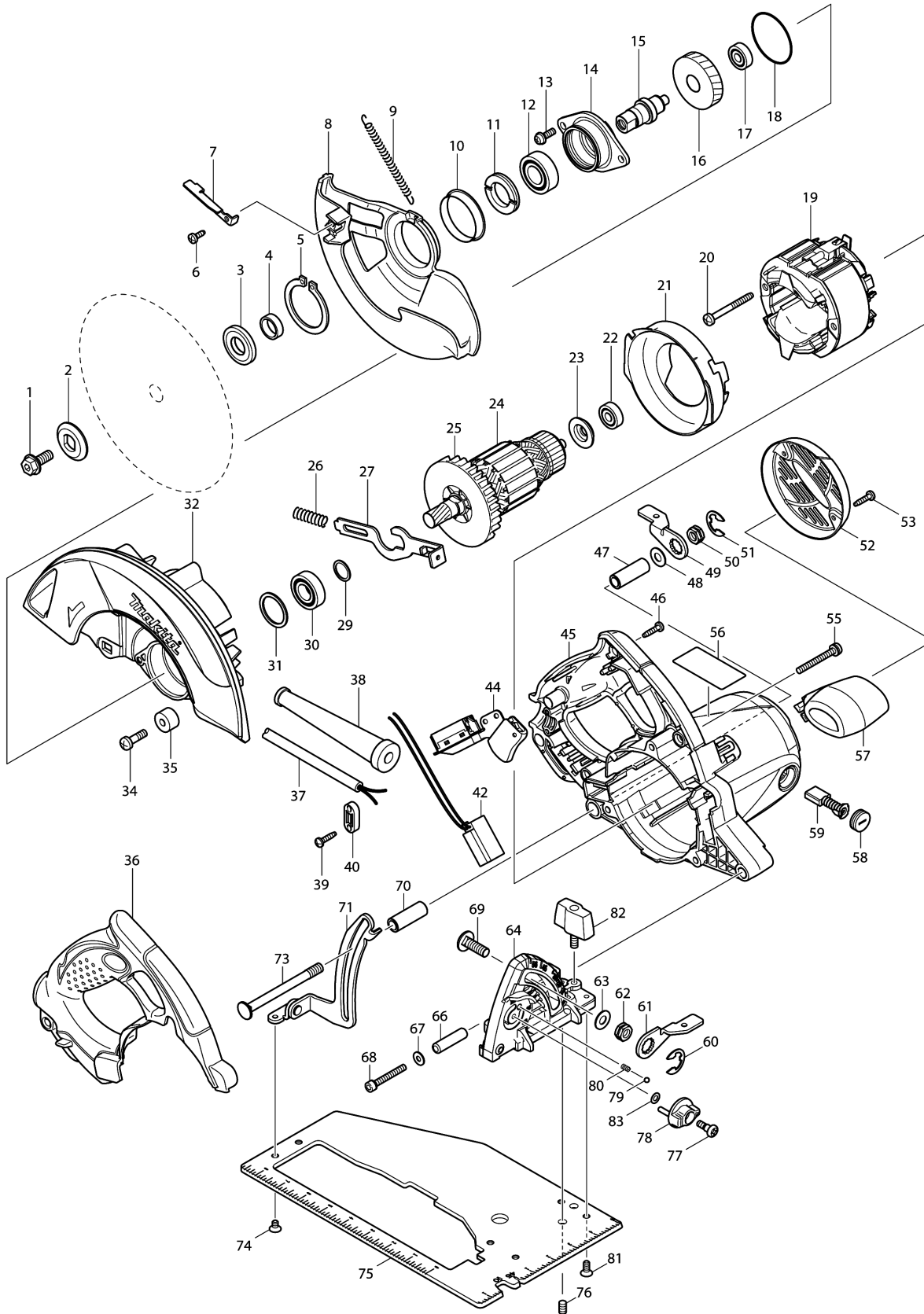


# Model No.5007NF CIRCULAR SAW 185MM





## Model No.5007NF CIRCULAR SAW 185MM

รายการ	รหัสอะไหล่	รายละเอียด	การ แลกเปลี่ยน	จำนวน	New/Old	ขาย	ซื้อ	ข้อความ
001	266283-4	HEX. SOCKET HEX. BOLT M8X20		1				
002	224409-4	OUTER FLANGE 35		1				
003	224412-5	INNER FLANGE 35		1	*			
003-1	224473-5	INNER FLANGE 35	O	1	*			
003-2	224593-5	INNER FLANGE 35	<	1				
004	257279-6	RING 17		1				
005	961201-4	RETAINING RING S-42		1				
006	266398-7	TAPPING SCREW BIND CT 4X12		1				
007	345931-9	LEVER PLATE		1				
008	318057-0	SAFETY COVER		1	*			
008-1	318057-0	SAFETY COVER	O	1	*			
008-2	318963-9	SAFETY COVER	<	1	*			
008-3	319780-0	SAFETY COVER	<	1				
009	231839-2	TENSION SPRING 4		1				
010	345422-0	SPACER		1	*			
010-1	346880-3	SPACER	<	1				
011	285848-3	BEARING RETAINER 23-36		1				
012	211275-8	BALL BEARING 6003DDW		1	*			
012-1	210301-0	BALL BEARING 6003DDW	O	1				
013	911223-4	PAN HEAD SCREW M5X16		2				
014	318056-2	BEARING BOX		1				
015	324690-8	SPINDLE		1				
016	226682-2	HELICAL GEAR 47		1				
017	210029-0	BALL BEARING 608ZZ		1				
018	213623-7	O RING 46		1				
019	596288-3	FIELD ASS'Y 220V		1				
C10	654020-2	RING TERMINAL		2				
C20	654502-4	CONNECTOR P-2		2				
020	266397-9	TAPPING SCREW BIND 5X50		2				
021	419548-5	BAFFLE PLATE		1				
022	210029-0	BALL BEARING 608ZZ		1	*			
022-1	210005-4	BALL BEARING 608DDW	<	1				
023	681625-5	INSULATION WASHER		1				
024	510134-6	ARMATURE ASS'Y 220V		1				
D10		INC. 22,23,25,29,30						
025	240003-4	FAN 80		1				
026	231297-2	COMPRESSION SPRING 9		1				
027	345717-1	SHAFT LOCK		1				
029	267280-3	FLAT WASHER 15		1				
030	211236-8	BALL BEARING 6002DDW		1				

Please order the parts with part number.

Print Date 14/8/2021

## Model No.5007NF CIRCULAR SAW 185MM

รายการ	รหัสอะไหล่	รายละเอียด	การ แลกเปลี่ยน	จำนวน	New/Old	ขาย	ซื้อ	ข้อความ
031	261132-0	URETHANE WASHER 26		1				
032	158672-6	BLADE CASE COMPLETE		1	*			
C10	263002-9	RUBBER PIN 4		2	*			
C20	816912-5	SCALE LABEL		1	*			
032-1	140G57-2	BLADE CASE COMPLETE	<	1				
C10	263002-9	RUBBER PIN 4		2				
C20	816912-5	SCALE LABEL		1				
034	251247-1	+ PAN HEAD SCREW M6X20		1				
035	262552-1	RUBBER SLEEVE 6		1	*			
035-1	262502-6	RUBBER SLEEVE 6	O	1				
036	450684-8	HANDLE COVER		1				
037	691015-4	POWER SUPPLY CORD 0.75- 2-2.5		1				
038	682564-2	CORD GUARD		1				
039	266326-2	TAPPING SCREW 4X18		2				
040	687140-7	STRAIN RELIEF		1				
042	631709-9	LIGHT CIRCUIT		1				
044	651189-3	SWITCH TG933TN-2		1				
045	158705-7	MOTOR HOUSING COMPLETE		1				
C10	643653-8	BRUSH HOLDER 6.5-13.5		2				
046	266326-2	TAPPING SCREW 4X18		5				
047	331719-3	PIPE 9		1				
048	941201-0	FLAT WASHER 8		1				
049	345930-1	LEVER PLATE		1				
050	252199-9	HEX. NUT M8-13		1				
051	257953-6	BOW STOP RING E-12		1				
052	345929-6	REAR COVER		1				
053	266326-2	TAPPING SCREW 4X18		2				
055	911268-2	PAN HEAD SCREW M5X45		3				
056	864983-6	5007NF NAME PLATE		1				
057	450705-6	FRONT GRIP		1				
058	643650-4	BRUSH HOLDER CAP 6.5-13.5		2	*			
058-1	643650-4	BRUSH HOLDER CAP 6.5-13.5	O	2				
059	A-81240	CARBON BRUSH CB-153A		1	*			
059-1	B-80117	CARBON BRUSH SET CB- 153A	O	1	*			
059-2	B-80329	CARBON BRUSH SET CB- 153A	<	1				
060	257953-6	BOW STOP RING E-12		1				
061	345930-1	LEVER PLATE		1	*			
061-1	346003-3	LEVER PLATE	S	1				
062	252199-9	HEX. NUT M8-13		1	*			

Please order the parts with part number.

Print Date 14/8/2021

## Model No.5007NF CIRCULAR SAW 185MM

รายการ	รหัสอะไหล่	รายละเอียด	การ แลกเปลี่ยน	จำนวน	New/Old	ขาย	ซื้อ	ข้อความ
062-1	264006-4	HEX. NUT M8-13	S	1				
063	941201-0	FLAT WASHER 8		1				
064	163485-2	ANGULAR PLATE COMPLETE		1	*			
064-1	163527-2	ANGULAR PLATE COMPLETE	<	1	*			
064-2	163542-6	ANGULAR PLATE COMPLETE	<	1				
066	257759-2	SLEEVE 6		1				
067	941101-4	FLAT WASHER 5		1				
068	922261-1	HEX. SOCKET HEAD BOLT M5X40		1	*			
068-1	911267-4	PAN HEAD SCREW M5X45	S	1				
069	266396-1	FLATHEAD SQUARENECKBOLT M8X24		1	*			
069-1	265965-5	CAP SQUARE NECK BOLT M8X24	S	1	*			
069-2	266227-4	CAP SQUARE NECK BOLT M8X28	<	1				
070	331719-3	PIPE 9		1				
071	163484-4	DEPTH GUIDE COMPLETE		1				
073	266237-1	CAP SQUARE NECK BOLT M8X90		1				
074	265086-3	+ COUNTERSUNK HEAD SCREW M5X8		2				
075	345925-4	BASE		1	*			
075-1	346746-7	BASE	<	1				
076	266085-8	H.S.SET SCREW(FLAT POINT)M6X10		1				
077	251370-2	+ PAN HEAD SCREW M5		1				
078	450704-8	DIAL 27		1				
079	216008-6	STEEL BALL 4		1				
080	233314-4	COMPRESSION SPRING 4		1				
081	912212-2	COUNTERSUNK HEAD SCREW M5X12		4				
082	251858-2	DIAL SCREW M6X15		1				
083	253811-4	FLAT WASHER 5		1				
084	252103-8	HEX. LOCK NUT M5-8	S	1				
A01	164095-8	GUIDE RULE		1				
A02	D-19037	T.C.T SAW BLADE 185X20X24T		1	*			
A02-1	D-51275	T.C.T. SAW BLADE 185X20X24T	O	1				
A03	783204-6	HEX. WRENCH 6		1				

Please order the parts with part number.

Print Date 14/8/2021