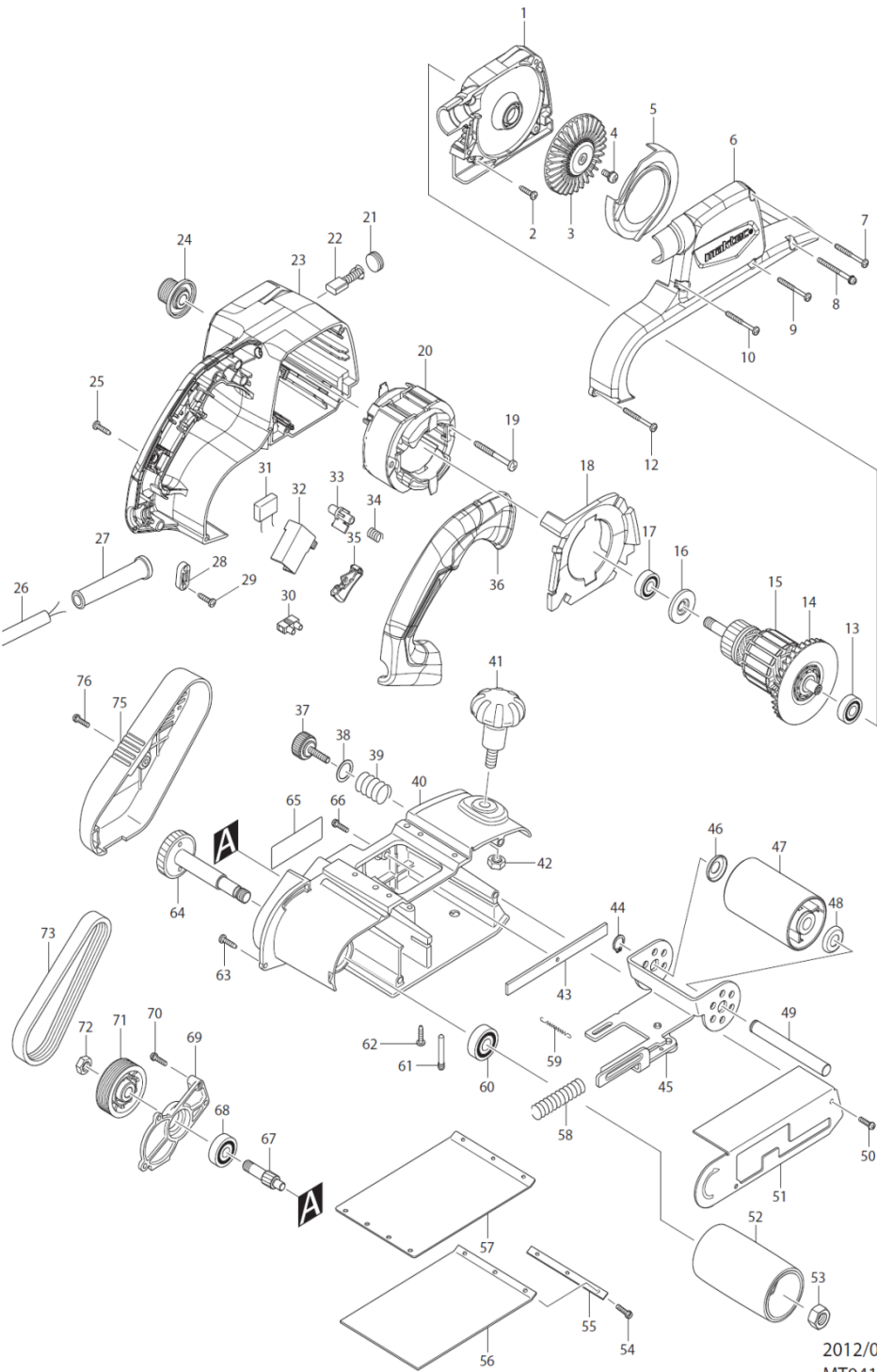


# MT941 (MAR 2013)



2012/04  
MT941

No.	CODE	DESCRIPTION	ราคาตั้ง
1	318921-5	DUST COLLECTOR BRACKET	650
2	266326-2	TAPPING SCREW 4X18	30
3	241662-7	FAN 80	540
4	265170-4	+PAN HEAD SCREW M5X12	70
5	419580-9	SEPARATE	380
6	318919-2	DUST COLLECTOR COVER	810
7	266560-4	TAPPING SCREW 4X40	50
8	265169-9	+PAN HEAD SCREW M4X45	70
9	266560-4	TAPPING SCREW 4X40	50
10	266560-4	TAPPING SCREW 4X40	50
12	266560-4	TAPPING SCREW 4X40	50
13	210067-2	BALL BEARING 6000ZZ	150
14	240013-1	FAN 84	250
15	517878-9	ARMATURE ASS'Y 220V	
16	681649-1	INSULATION WASHER	110
17	210067-2	BALL BEARING 6000ZZ	150
18	453968-3	BAFFLE PLATE	130
19	266397-9	TAPPING SCREW BIND 5X50	70
20	596298-0	FIELD ASS'Y 220-240V	
20	654220-4	RING TERMINAL	100
20	654501-6	CONNECTOR P-1.25	40
21	643650-4	BRUSH HOLDER CAP 6.5-13.5	
22	B-80329	CARBON BRUSH SET CB-153A	
23	643653-8	BRUSH HOLDER 6.5-13.5	
23	141760-6	MOTOR HOUSING COMPLETE	1,640
24	222168-4	V-PULLEY 6-23	360
25	266326-2	TAPPING SCREW 4X18	30
26	691780-5	POWER SUPPLY CORD	320
27	682574-9	CORD GUARD 10-90	90
28	687140-7	STRAIN RELIEF	40
29	266326-2	TAPPING SCREW 4X18	30
32	650545-4	SWITCH TGA115CT-2	220
33	418871-5	LOCK ON BUTTON	60
34	233423-9	COMPRESSION SPRING 9	50
35	418873-1	SWITCH LEVER	80
36	453965-9	HANDLE COVER	370
37	265763-7	THUMB SCREW M6X25	70
38	267356-6	FLAT WASHER 16	60
39	231225-7	COMPRESSION SPRING 16	80
40	158070-4	FRAME COMPLETE	2,950

No.	CODE	DESCRIPTION	ราคาตั้ง
41	271325-1	KNOB 55	200
42	252172-9	HEX. NUT M10	100
43	345726-0	EDGE SLIDER	90
44	961052-5	RETAINING RING S-12	40
45	163477-1	TENSION ROLLER ARM	830
46	253922-5	CUP WASHER 12	110
47	150978-8	TENSION ROLLER COMPLETE	1,310
48	253922-5	CUP WASHER 12	110
49	323829-0	TENSION ROLLER SHAFT	410
50	265112-8	+PAN HEAD SCREW M4X18	70
51	344622-9	SAFETY COVER	240
52	162248-3	DRIVING ROLLER	690
53	252087-0	HEX. NUT M12-19	130
54	265112-8	+PAN HEAD SCREW M4X18	70
55	344623-7	STRAP WASHER	110
56	424057-1	CARBON PLATE	150
57	424058-9	RUBBER PLATE	310
58	233235-0	COMPRESSION SPRING 12	100
59	231819-8	TENSION SPRING 4	80
60	211145-1	BALL BEARING 6201ZZ	180
61	321980-0	SUPPORT PIN	170
62	266326-2	TAPPING SCREW 4X18	30
63	266326-2	TAPPING SCREW 4X18	30
64	158072-0	HELICAL GEAR 42 COMPLETE	520
66	265112-8	+PAN HEAD SCREW M4X18	70
67	226634-3	HELICAL GEAR 10	390
68	210070-3	BALL BEARING 6200ZZ	180
69	318074-0	GEAR COVER	460
70	265112-8	+PAN HEAD SCREW M4X18	70
71	222169-2	V-PULLEY 6-52.9	380
72	252172-9	HEX. NUT M10	100
73	225091-2	POLY V-BELT 6-355	1,070
75	419581-7	BELT COVER	250
76	265112-8	+PAN HEAD SCREW M4X18	70
A01	135132-5	DUST BAG ASS'Y	350
A01	419876-8	FASTENER	110
A02	345729-4	STEP	170
A03	424057-1	CARBON PLATE	150
A04	794135-4	ABRASIVE BELT 100X610 WA80	1,490