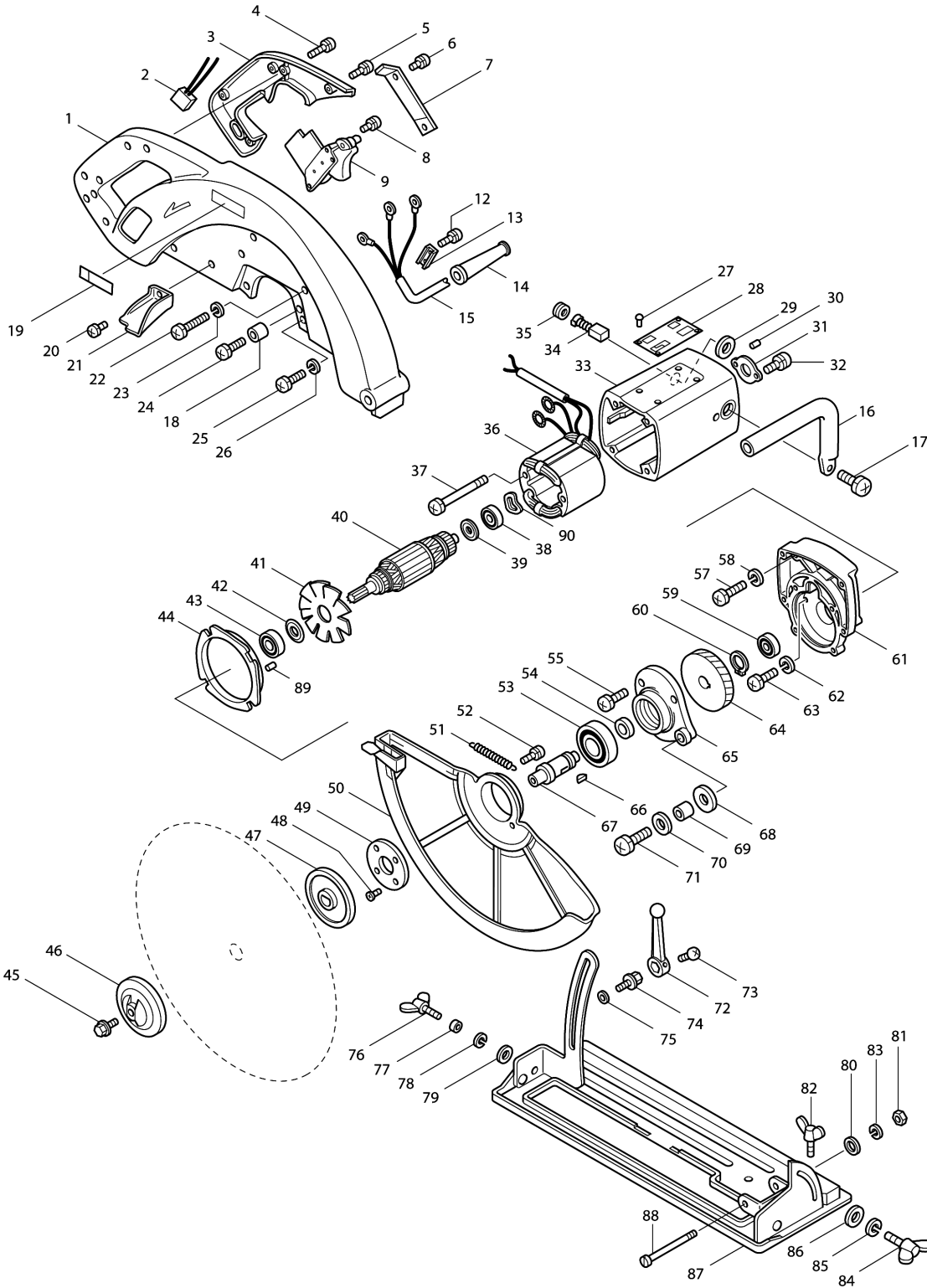


Model No.5402 CIRCULAR SAW 415MM



Model No.5402 CIRCULAR SAW 415MM

รายการ	รหัสอะไหล่	รายละเอียด	การ แลกเปลี่ยน	จำนวน	New/Old	ขาย	ซื้อ	ข้อความ
001-1	312966-5	BLADE CASE	O	1				
003	312870-8	HANDLE COVER F/LOCK		1				
004	911151-3	PAN HEAD SCREW M4X28		1				
005	911126-2	PAN HEAD SCREW M4X16		3				
006	911106-8	PAN HEAD SCREW M4X8		2				
007	342488-1	LEAD COVER		1				
008	911106-8	PAN HEAD SCREW M4X8		2				
009-1	651016-4	SWITCH HPAHR2-2	O	1				
010	911106-8	PAN HEAD SCREW M4X8		2	*			
011	342487-3	PLATE		1	*			
012	911116-5	PAN HEAD SCREW M4X12		2				
013	687600-9	STRAIN RELIEF		1				
014	682506-6	CORD GUARD 12-90		1				
015T1	691346-1	POWER SUPPLY CORD 1.25-3-5.0		1				
016	273602-7	GRIP		1				
017	911321-4	PAN HEAD SCREW M6X16		1				
018	257542-7	SLEEVE 7		1				
019	819003-1	MAKITA LABEL		1				
020	911106-8	PAN HEAD SCREW M4X8		1				
021	343292-1	CHIP GUIDE		1				
022	251273-0	+ PAN HEAD SCREW M6X30		2	*			
022-1	265064-3	+ PAN HEAD SCREW M6X30	O	2				
023	942151-2	SPRING WASHER 6		2	*			
024-1	911342-6	PAN HEAD SCREW M6X25		1				
025	251272-2	+ PAN HEAD SCREW M6X25		2	*			
025-1	251365-5	PAN HEAD SCREW M6X25	O	2				
026	942151-2	SPRING WASHER 6		2	*			
027-1	953106-2	RIVET 0-5		2	*			
028	815030-6	NAME PLATE 5402		1	*			
028-1	863644-5	NAME PLATE 5402	<	1				
029	681002-1	INSULATION WASHER		2				
030	263005-3	RUBBER PIN 6		2				
031	285006-1	BEARING COVER 42		1				
032	911211-1	PAN HEAD SCREW M5X12		2				
033	156185-1	MOTOR HOUSING		1	*			
C10	643653-8	BRUSH HOLDER 6.5-13.5		2	*			
C20	913206-0	SET SCREW M5X8		2	*			
D10		INC. 30			*			
033-1	156185-1	MOTOR HOUSING	<	1				
C10	643653-8	BRUSH HOLDER 6.5-13.5		2				

Please order the parts with part number.

Print Date 14/8/2021

Model No.5402 CIRCULAR SAW 415MM

รายการ	รหัสอะไหล่	รายละเอียด	การ แลกเปลี่ยน	จำนวน	New/Old	ขาย	ซื้อ	ข้อความ
C20	913206-0	SET SCREW M5X8		2				
D10		INC. 30						
034A1	181044-0	CARBON BRUSH CB-153		1	*			
034A2	B-80329	CARBON BRUSH SET CB-153A	<	1				
035	643650-4	BRUSH HOLDER CAP 6.5-13.5		2	*			
035-1	643650-4	BRUSH HOLDER CAP 6.5-13.5	O	2				
036C_	524075-0	FIELD ASS'Y 220V		1				
C10	654020-2	RING TERMINAL		2				
C20	654502-4	CONNECTOR P-2		2				
037-1	911938-3	PAN HEAD SCREW M5X85		2				
038	211066-7	BALL BEARING 6200LLB		1				
039	213051-6	DUST SEAL 10		1				
040C_	514514-8	ARMATURE ASS'Y 220V		1	*			
D10		INC. 38,39,41-43			*			
040C1	510093-4	ARMATURE ASS'Y 220V	S	1				
D10		INC. 38,39,41-43						
041	241314-0	FAN 92		1				
042	213202-1	DUST SEAL 15		1	*			
042-1	253147-1	FLAT WASHER 15	S	1				
043	211206-7	BALL BEARING 6202LLB		1	*			
043-1	211228-7	BALL BEARING 6202DDW	S	1				
044	343160-8	BAFFLE PLATE		1				
045	251644-1	HEX. FLANGE HEAD BOLT M8X20		1	*			
045-1	265408-7	HEX. SOCKET HEAD BOLT M8X20	X	1				
046	224074-9	OUTER FLANGE 90		1				
047	224182-6	INNER FLANGE 90		1				
048	912116-8	COUNTERSUNK HEAD SCREW M4X12		4				
049-1	285822-1	BEARING RETAINER		1				
050-2	165218-1	SAFETY COVER	O	1				
051	231733-8	TENSION SPRING 7		1				
052-1	911109-2	PAN HEAD SCREW M4X8		2				
053	211306-3	BALL BEARING 6204LLB		1				
054	257032-0	RING 20		1				
055	911241-2	PAN HEAD SCREW M5X25		4				
057	251208-1	+ PAN HEAD SCREW M5X35		2	*			
057-1	265063-5	+ PAN HEAD SCREW M5X35	O	2				
058	942101-7	SPRING WASHER 5		2	*			
059	211106-1	BALL BEARING 6201LLB		1				
060	961060-6	RETAINING RING S-20		1				

Please order the parts with part number.

Print Date 14/8/2021

Model No.5402 CIRCULAR SAW 415MM

รายการ	รหัสอะไหล่	รายละเอียด	การ แลกเปลี่ยน	จำนวน	New/Old	ขาย	ซื้อ	ข้อความ
061	157034-5	GEAR HOUSING		1				
D10		INC. 89						
062	942101-7	SPRING WASHER 5		2	*			
063	251210-4	+ PAN HEAD SCREW M5X25		2	*			
063-1	265066-9	+ PAN HEAD SCREW M5X25	O	2				
064	221623-3	HELICAL GEAR 73		1				
065-1	315774-3	GEAR HOUSING COVER		1				
066	254001-2	WOODRUFF KEY 4		1				
067	325212-7	SPINDLE		1				
068	262007-6	RUBBER RING 8		1				
069	257541-9	SLEEVE 8		1				
070	253022-1	FLAT WASHER 8		1				
071-1	911451-1	PAN HEAD SCREW M8X30		1				
072	133014-5	LEVER 98 ASS'Y		1				
D10		INC. 73						
073	911207-2	PAN HEAD SCREW M5X10		1				
074	251612-4	HEX. BOLT M8X20		1				
075	941201-0	FLAT WASHER 8		1				
076	924336-2	WING BOLT M6X25		1				
077	257542-7	SLEEVE 7		1				
078	942151-2	SPRING WASHER 6		1				
079	253010-8	FLAT WASHER 6		1				
080	941201-0	FLAT WASHER 8		1	*			
081	931401-0	HEX. NUT M8		1	*			
081-1	252105-4	HEX. LOCK NUT M8-13	<	1				
082	924316-8	WING BOLT M6X15		1				
083	942201-3	SPRING WASHER 8		1	*			
084	924426-1	WING BOLT M8X20		1				
085	942201-3	SPRING WASHER 8		1				
086	253022-1	FLAT WASHER 8		1				
087-2	134290-4	BASE ASS'Y		1				
088	251405-9	- FLAT HEAD SCREW M8		1				
089	263005-3	RUBBER PIN 6		1				
090	253913-6	WAVE WASHER 20		1				
401	164019-4	GUIDE RULE		1	*			
401-1	164019-4	GUIDE RULE	O	1				
402	781011-1	WRENCH 22		1				
403-1	783204-6	HEX. WRENCH 6	X	1				
404	410047-0	WRENCH HOLDER 5.6		1				
900	267148-3	FLAT WASHER 23		1				

Please order the parts with part number.

Print Date 14/8/2021