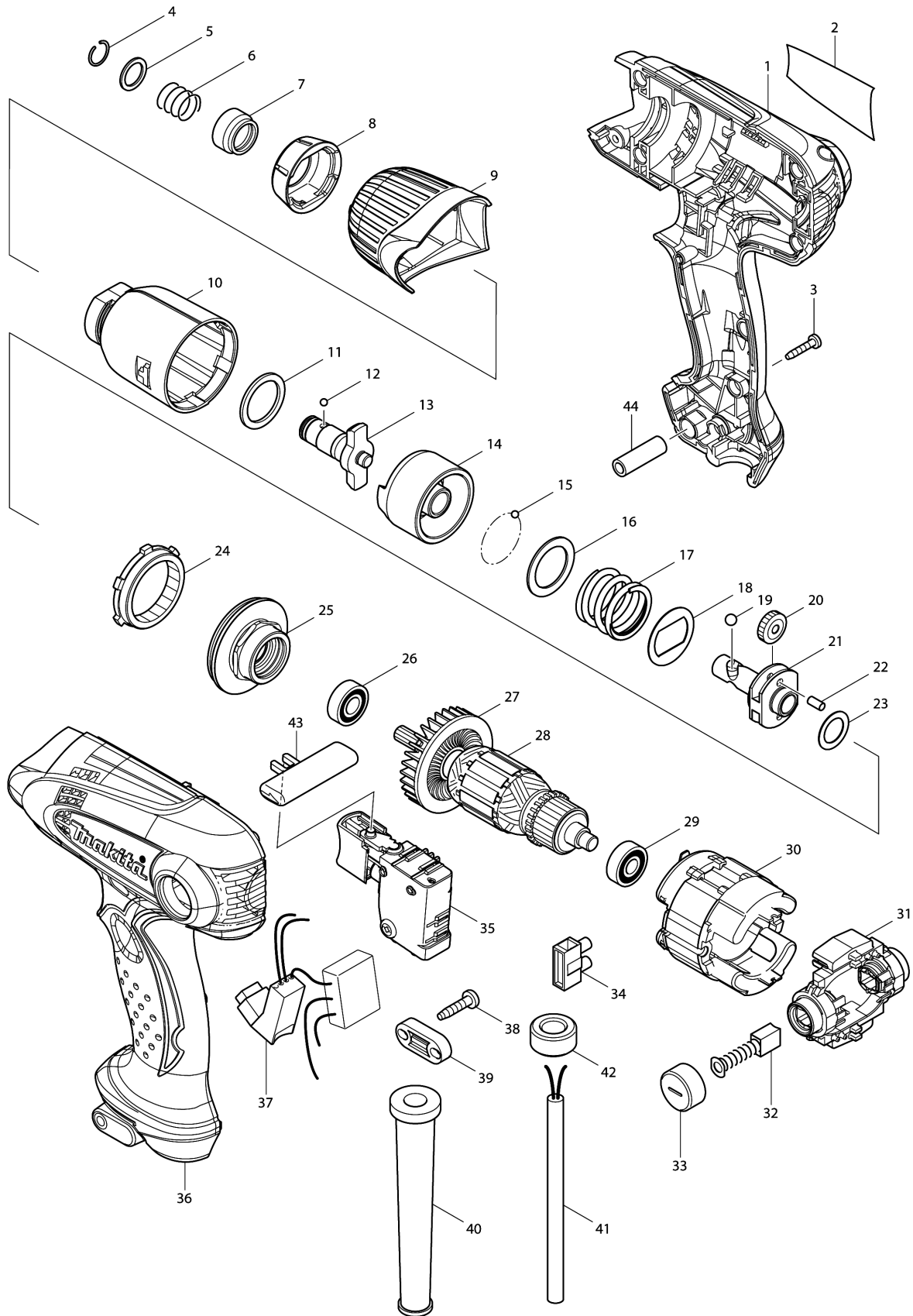


Model No.TD0101F IMPACT DRIVER



Model No.TD0101F IMPACT DRIVER

| รายการ | รหัสอะไหล่ | รายละเอียด | การ แลกเปลี่ยน | จำนวน | New/Old | ขาย | ซื้อ | ข้อความ |
|--------|------------|-----------------------|-------------------|-------|---------|-----|------|---------|
| 001 | 188664-1 | HOUSING SET | | 1 | | | | |
| C10 | 263002-9 | RUBBER PIN 4 | | 4 | | | | |
| D10 | | INC. 36 | | | | | | |
| 002 | 866417-5 | TD0101F NAME PLATE | | 1 | | | | |
| 003 | 266429-2 | TAPPING SCREW 3X16 | | 8 | | | | |
| 004 | 231965-7 | RING SPRING 10 | | 1 | | | | |
| 005 | 267143-3 | FLAT WASHER 11 | | 1 | | | | |
| 006 | 233005-7 | COMPRESSION SPRING 13 | | 1 | | | | |
| 007 | 324711-6 | BIT SLEEVE | | 1 | | | | |
| 008 | 424184-4 | BUMPER | | 1 | * | | | |
| 008-1 | 424376-5 | BUMPER | S | 1 | | | | |
| 009 | 450976-5 | HAMMER CASE COVER | | 1 | * | | | |
| 009-1 | 452440-2 | HAMMER CASE COVER | S | 1 | | | | |
| 010 | 158898-0 | HAMMER CASE COMPLETE | | 1 | | | | |
| C10 | 213166-9 | O RING 12.5 | | 1 | | | | |
| C20 | 253798-0 | FLAT WASHER 13 | | 1 | | | | |
| C30 | 257776-2 | SLEEVE 12 | | 1 | | | | |
| 011 | 261140-1 | NYLON WASHER 20 | | 1 | | | | |
| 012 | 216019-1 | STEEL BALL 3 | | 2 | | | | |
| 013 | 325618-9 | ANVIL N | | 1 | * | | | |
| 013-1 | 326629-7 | ANVIL N | O | 1 | | | | |
| 014 | 324894-2 | HAMMER | | 1 | | | | |
| 015 | 216019-1 | STEEL BALL 3 | | 24 | | | | |
| 016 | 267380-9 | FLAT WASHER 20 | | 1 | | | | |
| 017 | 234096-1 | COMPRESSION SPRING 21 | | 1 | | | | |
| 018 | 267813-4 | WASHER 21 | | 1 | | | | |
| 019 | 216002-8 | STEEL BALL 4.8 | | 2 | | | | |
| 020 | 227213-0 | SPUR GEAR 17 | | 2 | | | | |
| 021 | 324897-6 | SPINDLE | | 1 | | | | |
| 022 | 268217-3 | PIN 3.5 | | 2 | | | | |
| 023 | 253052-2 | FLAT WASHER 12 | | 1 | | | | |
| 024 | 227215-6 | INTERNAL GEAR 43 | | 1 | | | | |
| 025 | 158899-8 | BEARING BOX COMPLETE | | 1 | | | | |
| C10 | 210112-3 | BALL BEARING 6801LLB | | 1 | * | | | |
| C11 | 210242-0 | BALL BEARING 6801LLB | O | 1 | | | | |
| C20 | 213325-5 | O RING 19 | | 1 | | | | |
| 026 | 210013-5 | BALL BEARING 698VV | | 1 | | | | |
| 027 | 240046-6 | FAN 46 | | 1 | | | | |
| 028 | 517653-3 | ARMATURE ASSY 220V | | 1 | | | | |
| D10 | | INC. 26,27,29 | | | | | | |

Please order the parts with part number.

Print Date 14/8/2021

Model No.TD0101F IMPACT DRIVER

| รายการ | รหัสอะไหล่ | รายละเอียด | การ แลกร เปลี่ยน | จำนวน | New/Old | ขาย | ชื่อ | ข้อความ |
|--------|------------|------------------------------|------------------------|-------|---------|-----|------|---------|
| 029 | 210062-2 | BALL BEARING 607ZZ | | 1 | | | | |
| 030 | 635108-7 | FIELD 220V | | 1 | | | | |
| 031 | 638643-4 | HOLDER ARM COMPLETE | | 1 | | | | |
| C10 | 643981-1 | BRUSH HOLDER 6X9 | | 2 | | | | |
| 032 | B-80167 | CARBON BRUSH SET CB-411A | | 1 | * | | | |
| 032-1 | B-80391 | CARBON BRUSH SET CB-411A | < | 1 | | | | |
| 033 | 643928-5 | BRUSH HOLDER CAP | | 2 | | | | |
| 035 | 650613-3 | SWITCH C3TA | | 1 | | | | |
| 036 | 188664-1 | HOUSING SET | | 1 | | | | |
| C10 | 263002-9 | RUBBER PIN 4 | | 4 | | | | |
| D10 | | INC. 1 | | | | | | |
| 037 | 631873-6 | LIGHT CIRCUIT | | 1 | | | | |
| 038 | 266326-2 | TAPPING SCREW 4X18 | | 2 | | | | |
| 039 | 687124-5 | STRAIN RELIEF | | 1 | | | | |
| 040 | 682559-5 | CORD GUARD 8 | | 1 | | | | |
| 041 | 691065-9 | POWER SUPPLY CORD 0.75-2-2.5 | | 1 | | | | |
| 043 | 419250-0 | F/R CHANGE LEVER | | 1 | | | | |
| 044 | 262560-2 | SLEEVE 5 | | 1 | | | | |
| A01 | 784203-1 | PHILLIPS BIT 2-65 | | 1 | * | | | |
| A01-1 | 784203-1 | PHILLIPS BIT 2-65 | O | 1 | | | | |

Please order the parts with part number.

Print Date 14/8/2021