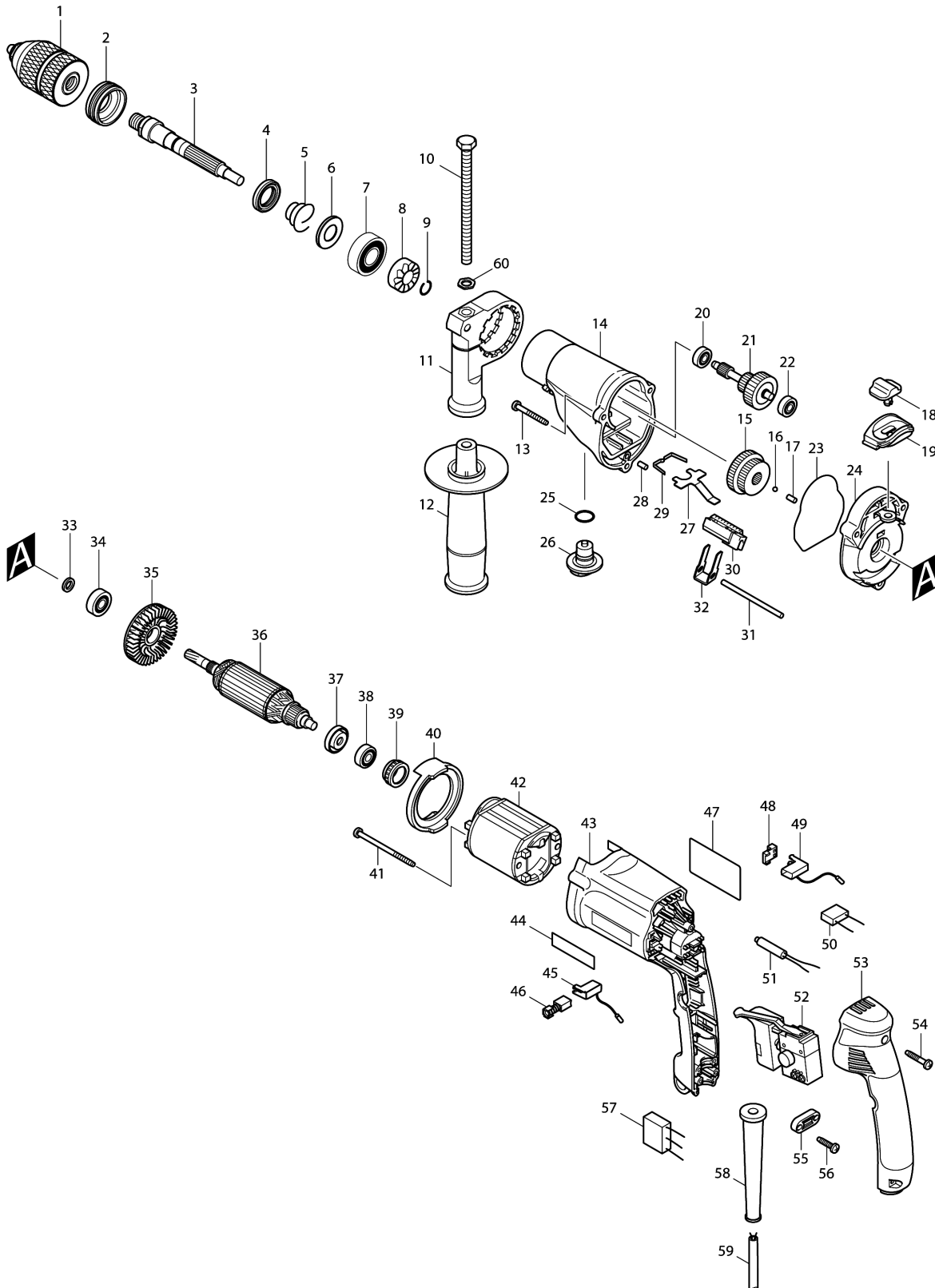


Model No.HP2051 2-SPEED HAMMER DRILL 20MM



Model No.HP2051 2-SPEED HAMMER DRILL 20MM

| รายการ | รหัสอะไหล่ | รายละเอียด | การ แลกเปลี่ยน | จำนวน | New/Old | ขาย | ชื่อ | ข้อความ |
|--------|------------|--------------------------------|-------------------|-------|---------|-----|------|---------|
| 001 | 192664-5 | KEYLESS DRILL CHUCK | | 1 | * | | | |
| 001-1 | 194254-0 | KEYLESS DRILL CHUCK SET | < | 1 | | | | |
| 002 | 285839-4 | BEARING RETAINER | | 1 | | | | |
| 003 | 324247-5 | SPINDLE | | 1 | | | | |
| 004 | 213314-0 | OIL SEAL 19 | | 1 | | | | |
| 005 | 233921-3 | CONICAL COMPRESSION SPRING | | 1 | | | | |
| 006 | 345224-4 | CUP WASHER 15 | | 1 | | | | |
| 007 | 211206-7 | BALL BEARING 6202LLB | | 1 | | | | |
| 008 | 223137-8 | CAM A | | 1 | | | | |
| 009 | 233920-5 | RING SPRING 11 | | 1 | | | | |
| 010 | 921923-8 | HEX. BOLT M8X120 | | 1 | | | | |
| 011 | 417630-4 | GRIP BASE | | 1 | * | | | |
| 011-1 | 417630-4 | GRIP BASE | O | 1 | | | | |
| 012 | 152521-9 | GRIP 36 COMPLETE | | 1 | * | | | |
| 012-1 | 134943-5 | GRIP 36 ASS'Y | < | 1 | * | | | |
| C10 | 152521-9 | GRIP 36 COMPLETE | | 1 | * | | | |
| D10 | | INC. 10,11 | | | * | | | |
| 012-2 | 134943-5 | GRIP 36 ASS'Y | < | 1 | * | | | |
| C10 | 152521-9 | GRIP 36 COMPLETE | | 1 | * | | | |
| D10 | | INC. 10,11,60 | | | * | | | |
| 012-3 | 135302-6 | GRIP 36 ASS'Y | O | 1 | | | | |
| C10 | 153503-4 | GRIP 36 COMPLETE | | 1 | | | | |
| D10 | | INC. 10,11,60 | | | | | | |
| 013 | 266053-1 | TAPPING SCREW 4X35 | | 3 | | | | |
| 014 | 153379-9 | GEAR HOUSING COMPLETE | | 1 | | | | |
| 015 | 227030-8 | SPUR GEAR 29-37 | | 1 | | | | |
| 016 | 216001-0 | STEEL BALL 3.5 | | 1 | | | | |
| 017 | 256251-5 | PIN 4 | | 1 | | | | |
| 018 | 417801-3 | CHANGE LEVER A | | 1 | * | | | |
| 018-1 | 418083-0 | CHANGE LEVER A | < | 1 | | | | |
| 019 | 417802-1 | LEVER CASE | | 1 | | | | |
| 020 | 211014-6 | BALL BEARING 606 | | 1 | * | | | |
| 020-1 | 211012-0 | BALL BEARING 606ZZ | O | 1 | | | | |
| 021 | 153363-4 | GEAR COMPLETE | | 1 | * | | | |
| 021-1 | 153622-6 | GEAR COMPLETE | O | 1 | | | | |
| 022 | 211014-6 | BALL BEARING 606 | | 1 | * | | | |
| 022-1 | 211012-0 | BALL BEARING 606ZZ | O | 1 | | | | |
| 023 | 421810-6 | SEAL RING | | 1 | | | | |
| 024 | 153364-2 | GEAR HOUSING COVER COMPLETE | | 1 | * | | | |

Please order the parts with part number.

Print Date 14/8/2021

Model No.HP2051 2-SPEED HAMMER DRILL 20MM

| รายการ | รหัสอะไหล่ | รายละเอียด | การ แลกเปลี่ยน | จำนวน | New/Old | ขาย | ซื้อ | ข้อความ |
|--------|------------|-----------------------------|-------------------|-------|---------|-----|------|---------|
| 024-1 | 153620-0 | GEAR HOUSING COVER COMPLETE | < | 1 | | | | |
| 025 | 213162-7 | O RING 14 | | 1 | * | | | |
| 025-1 | 213122-9 | O RING 12 | O | 1 | | | | |
| 026 | 417805-5 | CHANGE LEVER B | | 1 | | | | |
| 027 | 345225-2 | LOCK PLATE | | 1 | | | | |
| 028 | 256251-5 | PIN 4 | | 1 | | | | |
| 029 | 232143-2 | LEAF SPRING | | 1 | | | | |
| 030 | 417804-7 | RACK 12 | | 1 | | | | |
| 031 | 268092-7 | PIN 4 | | 1 | | | | |
| 032 | 345223-6 | CHANGE PLATE B | | 1 | | | | |
| 033 | 262087-2 | RING 8 | | 1 | | | | |
| 034 | 210005-4 | BALL BEARING 608DDW | | 1 | | | | |
| 035 | 241881-5 | FAN 52 | | 1 | | | | |
| 036 | 517413-3 | ARMATURE ASS'Y 220V | | 1 | | | | |
| D10 | | INC. 33,34,35,37,38 | | | | | | |
| 037 | 681636-0 | INSULATION WASHER | | 1 | | | | |
| 038 | 211021-9 | BALL BEARING 607LLB | | 1 | | | | |
| 039 | 421494-0 | RUBBER RING 19 | | 1 | | | | |
| 040 | 417803-9 | BAFFLE PLATE | | 1 | | | | |
| 041 | 266060-4 | TAPPING SCREW 4X65 | | 2 | | | | |
| 042 | 633528-9 | FIELD 220-240V | | 1 | | | | |
| 043 | 183453-9 | MOTOR HOUSING | | 1 | * | | | |
| D10 | | INC. 44 | | | * | | | |
| 043-1 | 417807-1 | MOTOR HOUSING | O | 1 | | | | |
| 044 | 819063-3 | MAKITA LABEL | | 1 | * | | | |
| 045 | 643989-5 | BRUSH HOLDER | | 1 | | | | |
| 046 | A-81284 | CARBON BRUSH CB-419A | | 1 | * | | | |
| 046-1 | B-80086 | CARBON BRUSH SET CB-419A | O | 1 | * | | | |
| 046-2 | B-80422 | CARBON BRUSH SET CB-419A | < | 1 | | | | |
| 047 | 853860-7 | NAME PLATE HP2051 | | 1 | | | | |
| 048 | 689111-0 | SPACER | | 2 | | | | |
| 049 | 643988-7 | BRUSH HOLDER | | 1 | | | | |
| 052 | 650524-2 | SWITCH TG813ALB-2 | | 1 | | | | |
| 053 | 153284-0 | HANDLE COVER COMPLETE | | 1 | | | | |
| C10 | 263002-9 | RUBBER PIN 4 | | 2 | | | | |
| 054 | 265999-8 | TAPPING SCREW 4X25 | | 3 | | | | |
| 055 | 687053-2 | STRAIN RELIEF | | 1 | * | | | |
| 055-1 | 687140-7 | STRAIN RELIEF | O | 1 | | | | |
| 056 | 265995-6 | TAPPING SCREW 4X18 | | 2 | | | | |

Please order the parts with part number.

Print Date 14/8/2021

Model No.HP2051 2-SPEED HAMMER DRILL 20MM

| รายการ | รหัสอะไหล่ | รายละเอียด | การ แลกร เปลี่ยน | จำนวน | New/Old | ขาย | ชื่อ | ข้อความ |
|--------|------------|----------------------------------|------------------------|-------|---------|-----|------|---------|
| 058 | 682566-8 | CORD GUARD 10 | | 1 | | | | |
| 059 | 691015-4 | POWER SUPPLY CORD 0.75- 2-2.5 | | 1 | | | | |
| 060 | 345280-4 | HEX. WASHER | | 1 | | | | |
| 061 | 263002-9 | RUBBER PIN 4 | | 1 | | | | |
| A01 | 324219-0 | DEPTH GAUGE | | 1 | | | | |
| A02 | 824650-5 | PLASTIC CARRYING CASE | | 1 | | | | |
| C10 | 417724-5 | LATCH | | 2 | | | | |
| C20 | 819144-3 | MAKITA LOGO LABEL | | 1 | | | | |

Please order the parts with part number.

Print Date 14/8/2021