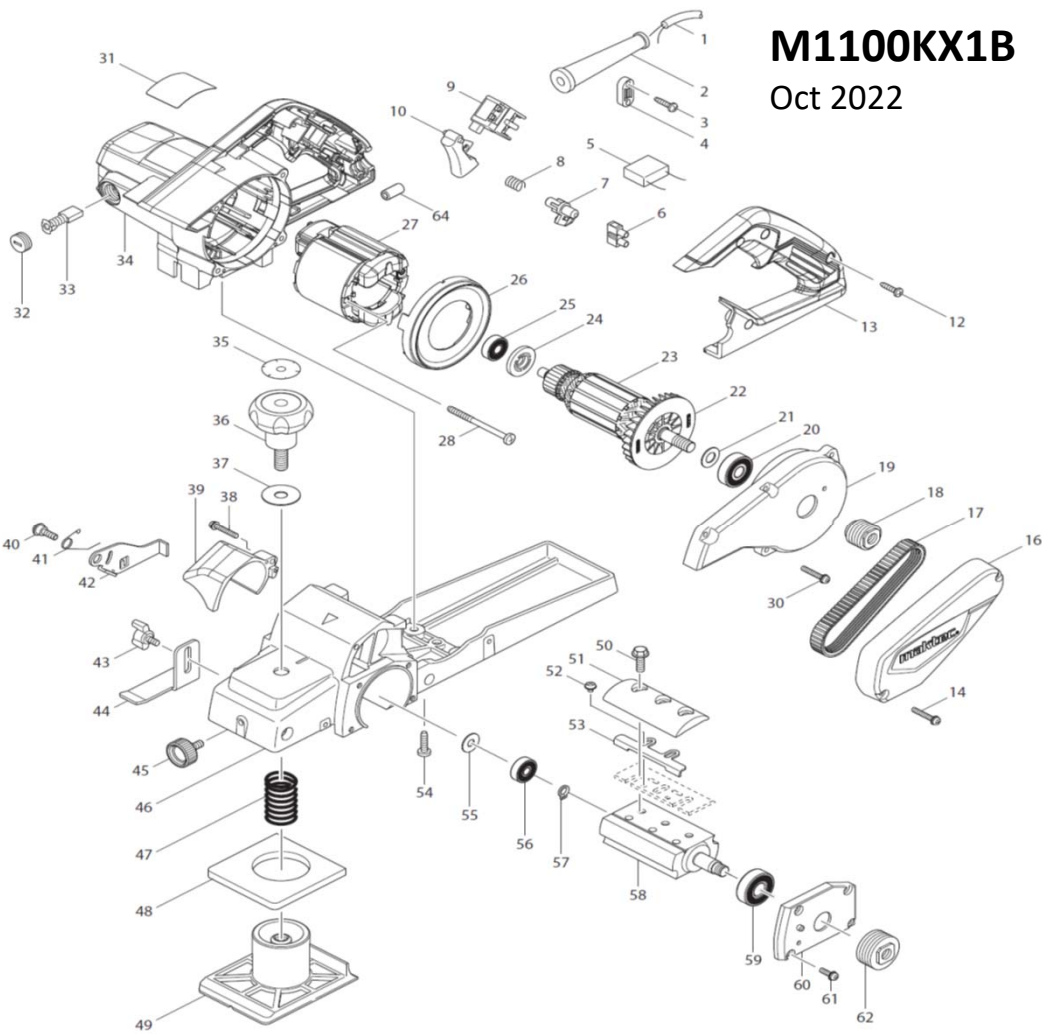


# M1100KX1B

Oct 2022



No.	CODE	DESCRIPTION	ราคาตั้ง
1	691780-5	POWER SUPPLY CORD 0.75-2-5.0	320
2	682574-9	CORD GUARD 10-90	90
3	266326-2	TAPPING SCREW 4X18	30
4	687140-7	STRAIN RELIEF	40
7	418871-5	LOCK ON BUTTON	60
8	233423-9	COMPRESSION SPRING 9	50
9	650545-4	SWITCH TGA115CT-2	220
10	418873-1	SWITCH LEVER	80
12	266326-2	TAPPING SCREW 4X18	30
13	412715-1	HANDLE COVER	350
14	265101-3	PAN HEAD SCREW M4X25	110
16	458047-2	BELT COVER	220
17	225096-2	POLY V-BELT 5-285	320
18	222166-8	V-PULLEY 5-23.5L	220
19	317854-1	BRACKET	500
20	211476-8	BALL BEARING 6200ZZ	150
21	267256-0	FLAT WASHER 10	70
22	240064-4	FAN 70	170
23	513853-3	ARMATURE ASS'Y 220V	
24	681644-1	INSULATION WASHER	60
25	210046-0	BALL BEARING 608ZZ	110
26	454051-9	BAFFLE PLATE	100
27	594533-0	FIELD ASS'Y 220V	990
27	654449-2	RING TERMINAL	60
27	654485-8	PARALLEL SPLICE	20
28	266352-1	TAPPING SCREW 5X65	50
30	265101-3	PAN HEAD SCREW M4X25	110
32	643750-0	BRUSH HOLDER CAP 7-11	70
33	B-80379	CARBON BRUSH SET CB-303A	190
34	140U92-4	MOTOR HOUSING COMP	1,040
34	643708-9	BRUSH HOLDER 5-11	230
35	890029-2	SCALE LABEL	
36	271329-3	KNOB 50	210
37	267258-6	FLAT WASHER 10	70

No.	CODE	DESCRIPTION	ราคาตั้ง
38	265101-3	PAN HEAD SCREW M4X25	110
39	418874-9	CHIP COVER	90
40	265150-0	+SHOULDER SCREW M5X18	60
41	231677-2	TORSION SPRING 9	40
42	345507-2	DRUM COVER	140
43	265760-3	THUMB SCREW M5X10	100
44	345506-4	DEPTH GUIDE	100
45	265767-9	THUMB SCREW M6X13	90
46	154501-1	MAIN FRAME COMPLETE	2,980
47	233422-1	COMPRESSION SPRING 19	110
48	421902-1	RUBBER PACKING	140
49	317852-5	FRONT BASE	680
50	265512-2	FLANGE HEX.BOLT M6X17	70
51	187676-1	DRUM PLATE SET	590
52	265132-2	+ PAN HEAD SCREW M4X5	70
53	345644-2	ADJUST PLATE	110
54	266420-0	TAPPING SCREW 5X20	30
55	267293-4	FLAT WASHER 7	40
56	210030-5	BALL BEARING 627ZZ	150
57	961003-8	RETAINING RING S-7	20
58	161141-8	DRUM	1,690
59	211477-6	BALL BEARING 6201ZZ	160
60	317853-3	BEARING BOX	360
61	265099-4	PAN HEAD SCREW M4X14	70
62	222165-0	V-PULLEY 5-32.4	250
A01	122694-2	SHARPENING HOLDER ASS'Y	150
A01	252649-4	THUMB NUT M6	60
A01	266332-7	R.H SQUARE NECK BOLT M6X35	40
A01	341003-8	PRESSURE PLATE	130
A02	122695-0	BLADE GAUGE ASS'Y	140
A02	265131-4	PAN HEAD SCREW M5X18	40
A02	418465-6	GAUGE PLATE	60
A03	163539-5	GUIDE RULE	1,170
A04	782229-7	BOX WRENCH 9	150