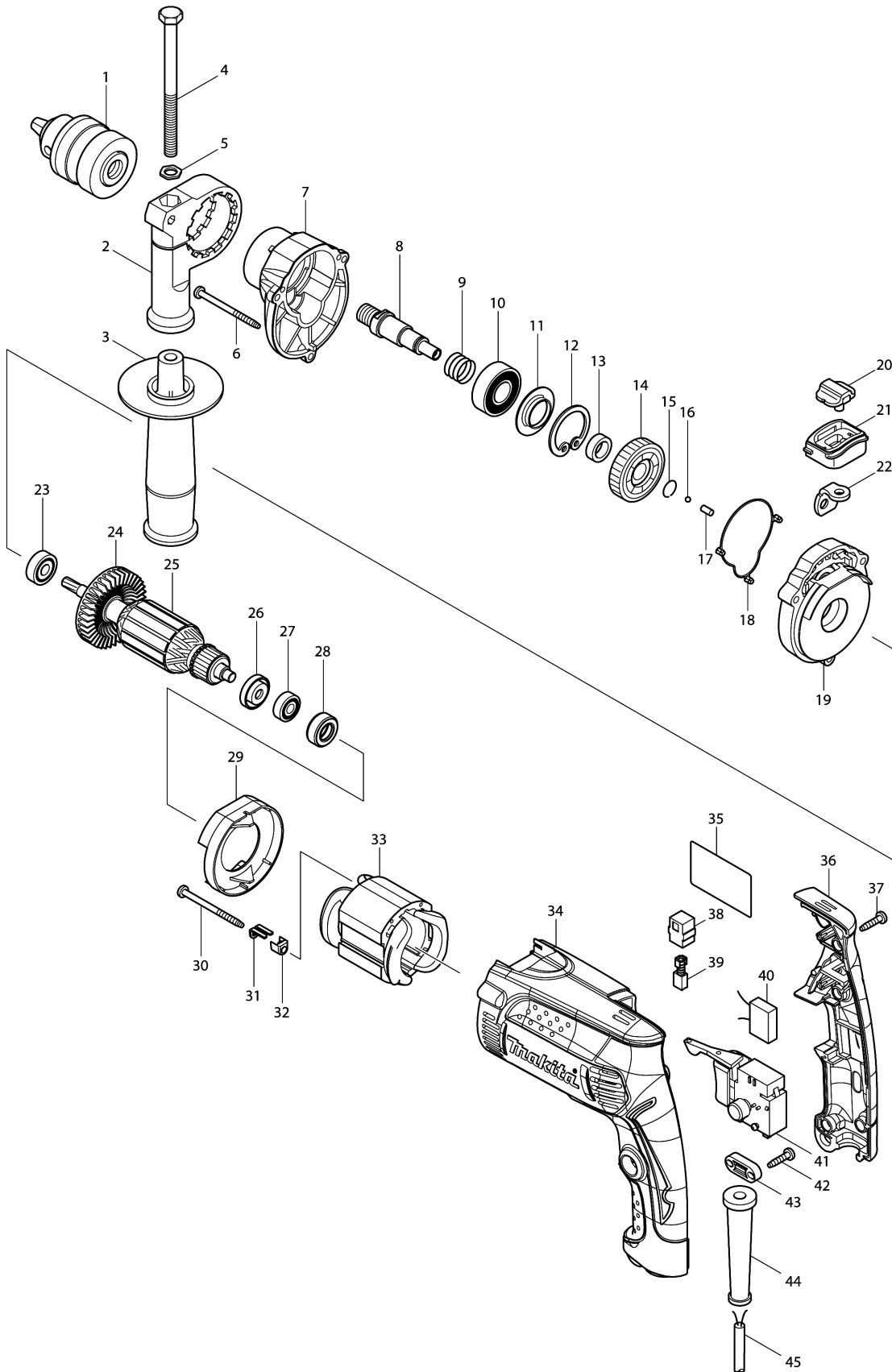


Model No.HP1630 HAMMER DRILL 16MM



Model No.HP1630 HAMMER DRILL 16MM

รายการ	รหัสอะไหล่	รายละเอียด	การ แลกเปลี่ยน	จำนวน	New/Old	ขาย	ซื้อ	ข้อความ
001	763161-4	DRILL CHUCK S13		1				
002	417630-4	GRIP BASE		1				
003	153503-4	GRIP 36 COMPLETE		1				
004	265495-6	HEX. BOLT M8X110		1				
005	345280-4	HEX. WASHER		1				
006	266361-0	TAPPING SCREW 4X30		3	*			
006-1	265654-2	TAPPING SCREW 4X30	O	3				
007	450619-9	GEAR HOUSING		1				
008	324223-9	SPINDLE		1	*			
008-1	327220-4	SPINDLE	S	1	*			
008-2	327376-3	SPINDLE	S	1				
009	233330-6	COMPRESSION SPRING 16		1				
010	211241-5	BALL BEARING 6202DDW		1				
011	257246-1	RING 19		1				
012	962153-2	RETAINING RING R-35		1				
013	257173-2	RING 12		1				
014A	226589-2	HELICAL GEAR 37		1	*			
014B	226589-2	HELICAL GEAR 37		1	*			
014-1A	227806-3	HELICAL GEAR 37	S	1				
014-1B	227806-3	HELICAL GEAR 37	S	1				
014-1D	227806-3	HELICAL GEAR 37		1				
014-1E	227806-3	HELICAL GEAR 37		1				
015	233938-6	RING SPRING 12		1				
016	216001-0	STEEL BALL 3.5		1				
017	256251-5	PIN 4		1				
018	424112-9	SEAL RING		1				
019	158676-8	GEAR HOUSING COVER COMPLETE		1	*			
019-1	140G48-3	GEAR HOUSING COVER COMPLETE	S	1	*			
019-2	140M12-0	GEAR HOUSING COVER COMPLETE	S	1				
020	417819-4	CHANGE LEVER		1				
021	450621-2	LEVER CASE		1				
022	345944-0	CHANGE PLATE		1				
023	211031-6	BALL BEARING 608LLB		1				
024	241869-5	FAN 55		1				
025A	515308-4	ARMATURE ASS'Y 220V		1	*			
D10		INC. 23,24,26,27			*			
025B	515308-4	ARMATURE ASS'Y 220V		1	*			
D10		INC. 23,24,26,27			*			
025-1A	513438-5	ARMATURE ASS'Y 220V	S	1				

Please order the parts with part number.

Print Date 24/8/2021

Model No.HP1630 HAMMER DRILL 16MM

รายการ	รหัสอะไหล่	รายละเอียด	การ แลกเปลี่ยน	จำนวน	New/Old	ขาย	ซื้อ	ข้อความ
D10		INC. 23,24,26,27						
025-1B	513438-5	ARMATURE ASS'Y 220V	S	1				
D10		INC. 23,24,26,27						
025-1D	513438-5	ARMATURE ASS'Y 220V		1				
D10		INC. 23,24,26,27						
025-1E	513438-5	ARMATURE ASS'Y 220V		1				
D10		INC. 23,24,26,27						
026	681636-0	INSULATION WASHER		1				
027	211021-9	BALL BEARING 607LLB		1				
028	421808-3	RUBBER RING 19		1				
029	450620-4	BAFFLE PLATE		1				
030	266415-3	TAPPING SCREW 4X55		2	*			
030-1	265649-5	TAPPING SCREW 4X55	O	2				
031	344871-8	RETAINER		2				
032	417237-6	INSULATION COVER		2				
033	626603-8	FIELD 220V		1				
034	450617-3	MOTOR HOUSING		1	*			
034-1	457967-7	MOTOR HOUSING	<	1				
035	865364-7	HP1630 NAME PLATE		1				
036	158677-6	HANDLE COVER COMPLETE		1				
037	266326-2	TAPPING SCREW 4X18		4	*			
037-1	265652-6	TAPPING SCREW 4X18	O	4				
038A	643563-9	BRUSH HOLDER 5X8		2	*			
038B	643563-9	BRUSH HOLDER 5X8		2	*			
038-1A	643566-3	BRUSH HOLDER 5X8	O	2				
038-1B	643566-3	BRUSH HOLDER 5X8	O	2				
038-1D	643566-3	BRUSH HOLDER 5X8		2				
038-1E	643566-3	BRUSH HOLDER 5X8		2				
039A	A-88870	CARBON BRUSH CB-85A		1	*			
039B	A-88870	CARBON BRUSH CB-85A		1	*			
039-1A	B-80282	CARBON BRUSH SET CB-85A	<	1				
039-1B	B-80282	CARBON BRUSH SET CB-85A	<	1				
039-1D	B-80282	CARBON BRUSH SET CB-85A		1				
039-1E	B-80282	CARBON BRUSH SET CB-85A		1				
041A	650586-0	SWITCH DGQ-1104H		1	*			
041B	650586-0	SWITCH DGQ-1104H		1	*			
041-1A	650695-5	SWITCH C3GA-2L	S	1				
041-1B	650695-5	SWITCH C3GA-2L	S	1				
041-1D	650695-5	SWITCH C3GA-2L		1				
041-1E	650695-5	SWITCH C3GA-2L		1				

Please order the parts with part number.

Print Date 24/8/2021

Model No.HP1630 HAMMER DRILL 16MM

รายการ	รหัสอะไหล่	รายละเอียด	การ แลกเปลี่ยน	จำนวน	New/Old	ขาย	ชื่อ	ข้อความ
042	266326-2	TAPPING SCREW 4X18		2	*			
042-1	265652-6	TAPPING SCREW 4X18	O	2				
043	687124-5	STRAIN RELIEF		1				
044	682569-2	CORD GUARD 8-85		1				
045	691055-2	POWER SUPPLY CORD 0.75- 2-2.0		1				
A01	418163-2	KEY HOLDER 10		1				
A02	763441-8	CHUCK KEY S13		1				
A03B	824811-7	PLASTIC CARRYING CASE		1				
C10	324815-4	SHAFT		1				
C20	417724-5	LATCH		2				
C30	418264-6	PLATE		3				
C40	419216-0	HANDLE		1				
C50	450086-8	PLASTIC CASE LID		1				
A03D	821630-2	PLASTIC CASE		1				
C10	455522-9	SLIDE LATCH		2				
C20	452143-8	SHAFT		2				
A03E	821631-0	PLASTIC CASE		1				
C10	455522-9	SLIDE LATCH		2				
C20	452143-8	SHAFT		2				
A04B	D-08660	DRILL BIT ASSORTMENT		1	*			
A04D	D-52308	74PCS. BIT SET, MM, TYPE NZ		1				
A04E	D-52314	75PCS. BIT SET, INCH, TYPE MZ		1				
A04-1B	D-71962	DRILL BIT 9PCS SET	O	1				
A05A	324219-0	DEPTH GAUGE		1				
A05B	324219-0	DEPTH GAUGE		1				
A05D	324219-0	DEPTH GAUGE		1				
A05E	324219-0	DEPTH GAUGE		1				

Please order the parts with part number.

Print Date 24/8/2021