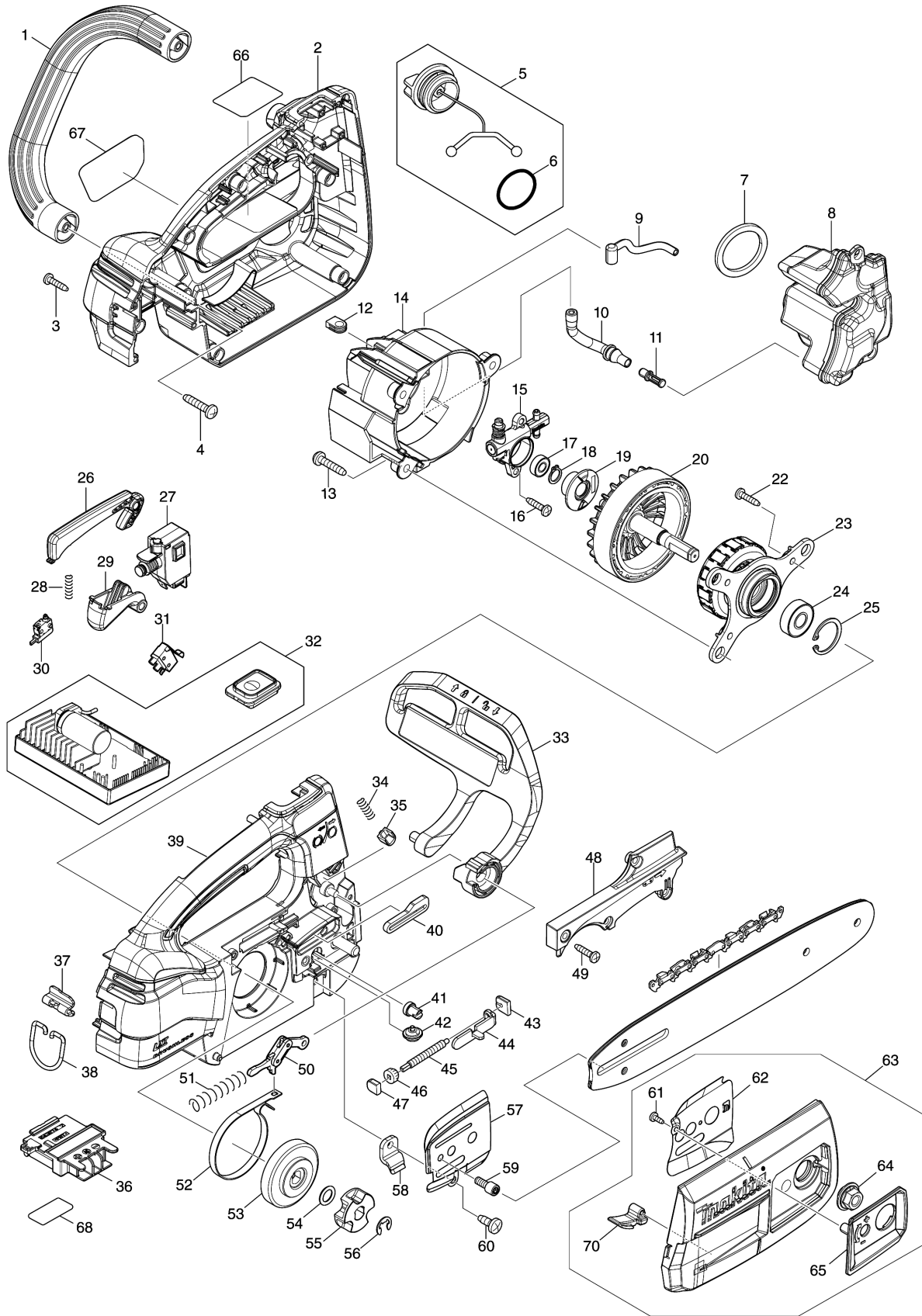


Model No.DUC254 250MM CORDLESS CHAIN SAW



Model No.DUC254 250MM CORDLESS CHAIN SAW

รายการ	รหัสอะไหล่	รายละเอียด	การ แลกเปลี่ยน	จำนวน	New/Old	ขาย	ซื้อ	ข้อความ
001	458490-5	SIDE HANDLE		1				
002	183J27-6	HOUSING SET		1	*			
C10	263005-3	RUBBER PIN 6		2	*			
D10		INC. 39			*			
002-1	183U63-8	HOUSING SET	S	1				
C10	263005-3	RUBBER PIN 6		2				
D10		INC. 39						
003	266326-2	TAPPING SCREW 4X18		8				
004	266041-8	TAPPING SCREW 5X25		2	*			
004-1	266459-3	TAPPING SCREW 5X25	O	2				
005	168508-1	TANK CAP COMPLETE		1				
D10		INC. 6						
006	213355-6	O-RING 25		1				
007	421959-2	SPONGE SEAL		1				
008	140A75-4	OIL TANK COMPLETE		1				
009	422271-3	CONNECTOR A		1				
010	422272-1	CONNECTOR B		1				
011	450437-5	FILTER		1				
012	424612-9	GROMMET		1				
013	266041-8	TAPPING SCREW 5X25		3	*			
013-1	266459-3	TAPPING SCREW 5X25	O	3				
014	458489-0	MOTOR HOUSING		1				
015	142857-4	OIL PUMP COMPLETE		1				
016	266326-2	TAPPING SCREW 4X18		2				
017	210026-6	BALL BEARING 696ZZ		1	*			
017-1	210187-2	BALL BEARING 696ZZ	O	1				
018	961006-2	RETAINING RING S-10		1				
019	221428-1	WORM GEAR		1				
020	619518-6	ROTOR		1				
022	266326-2	TAPPING SCREW 4X18		3				
023	629378-8	STATOR COMPLETE		1				
024	210059-1	BALL BEARING 6000DDW		1				
025	962105-3	RETAINING RING R-26		1				
026	458497-1	CATCH LEVER		1				
027	651365-9	SWITCH C3JW-6BM-P		1				
028	233476-8	COMPRESSION SPRING 4		1				
029	458495-5	SWITCH LEVER		1				
030	632L49-0	SWITCH UNIT		1				
031	632L48-2	SWITCH UNIT		1				
032	140A77-0	CONTROLLER COMPLETE		1	*			

Please order the parts with part number.

Print Date 24/8/2021

Model No.DUC254 250MM CORDLESS CHAIN SAW

รายการ	รหัสอะไหล่	รายละเอียด	การ แลกเปลี่ยน	จำนวน	New/Old	ขาย	ซื้อ	ข้อความ
C10	810D46-0	SWITCH LABEL		1	*			
032-1	140P57-6	CONTROLLER COMPLETE	<	1				
C10	810D46-0	SWITCH LABEL		1				
033	140A71-2	FRONT HAND GUARD COMPLETE		1				
C10	816U30-5	CAUTION LABEL		1				
034	232453-7	COMPRESSION SPRING 3		1				
035	310879-4	HAND GUARD GUIDE		1	*			
035-1	313379-3	HAND GUARD GUIDE	O	1				
036	643874-2	TERMINAL		1				
037	347377-5	HOOK SUPPORT		1				
038	281222-3	HOOK		1				
039	183J27-6	HOUSING SET		1	*			
C10	263005-3	RUBBER PIN 6		2	*			
D10		INC. 2			*			
039-1	183U63-8	HOUSING SET	S	1				
C10	263005-3	RUBBER PIN 6		2				
D10		INC. 2						
040	422270-5	GROMET		1				
041	227620-7	DRIVE GEAR		1				
042	227634-6	STRAIGHT BEVEL GEAR 14		1				
043	455241-7	CLAMP SCREW		1	*			
044	347376-7	TENSION SLIDE		1	*			
044-1	347569-6	TENSION SLIDE	S	1				
045	327120-8	ADJUST SCREW		1	*			
045-1	327900-2	ADJUST SCREW	S	1				
046	227496-2	STRAIGHT BEVEL GEAR 14		1				
047	455242-5	CLAMP SCREW		1	*			
048	458491-3	HOUSING R COVER		1				
049	266326-2	TAPPING SCREW 4X18		4				
050	140A74-6	LINK PLATE COMPLETE		1				
051	232452-9	COMPRESSION SPRING 7		1	*			
051-1	232599-9	COMPRESSION SPRING 7	X	1				
052	347372-5	BRAKE BAND		1				
053	161871-1	BRAKE DRUM COMPLETE		1				
054	213060-5	O RING 10		1				
055	221464-7	SPROCKET 6		1				
056	961013-5	STOP RING E-7		1				
057	347374-1	GUIDE PLATE L		1	*			
057-1	347567-0	GUIDE PLATE L	S	1				
058	347373-3	CHAIN CATCHER		1				

Please order the parts with part number.

Print Date 24/8/2021

Model No.DUC254 250MM CORDLESS CHAIN SAW

รายการ	รหัสอะไหล่	รายละเอียด	การ แลกเปลี่ยน	จำนวน	New/Old	ขาย	ซื้อ	ข้อความ
059	266905-6	H.L. SOCKET HEAD BOLT M5X12		1				
060	266388-0	TAPPING SCREW 5X16		1				
061	266007-8	TAPPING SCREW BIND PT 3X10		1	*			
061-1	266421-8	TAPPING SCREW 3X10	O	1				
062	347375-9	GUIDE PLATE R		1	*			
062-1	347568-8	GUIDE PLATE R	S	1				
063A	136010-2	SPROCKET COVER ASS'Y		1	*			
D10		INC. 61,62,64,65,70			*			
063-1A	136010-2	SPROCKET COVER ASS'Y	<	1	*			
D10		INC. 61,62,64,65,70,71			*			
063-2A	136036-4	SPROCKET COVER ASS'Y	<	1	*			
D10		INC. 61,62,64,65,70,71			*			
063-2B	136036-4	SPROCKET COVER ASS'Y		1	*			
D10		INC. 61,62,64,65,70,71			*			
063-3	136122-1	SPROCKET COVER ASS'Y	S	1				
D10		INC. 61,62,64,65,70,71						
064A	161870-3	FRANGE NUT COMPLETE		1	*			
064-1A	162494-8	FLANGE NUT COMPLETE	<	1				
064-1B	162494-8	FLANGE NUT COMPLETE		1				
065	458499-7	NUT COVER		1				
066	854G31-1	DUC254 NAME PLATE		1				
067	816U21-6	DUC254 MODEL NO. LABEL		1				
068	854G38-7	DUC254 SERIAL NO. LABE		1				
070	422310-9	CHIP GUIDE		1				
071A	458493-9	SPROCKET COVER		1	*			
071B	458493-9	SPROCKET COVER		1	*			
071-1	459771-0	SPROCKET COVER	S	1				
A01	161846-0	GUIDE BAR 10		1	*			
A01-1	161846-0	GUIDE BAR 10	O	1				
A02	458501-6	GUIDE BAR CASE		1				
A03	199075-5	SAW CHAIN SET		1				
A04	782023-7	WRENCH 13-16		1				
A06B	***DC18RC	DC18RC FAST CHARGER		1				
A07B	199283-8	BATTERY BL1830B SET		1	*			
A07-1B	199283-8	BATTERY BL1830B SET	<	1				
A09	831304-7	ACCESSORY BAG		1				

Please order the parts with part number.

Print Date 24/8/2021