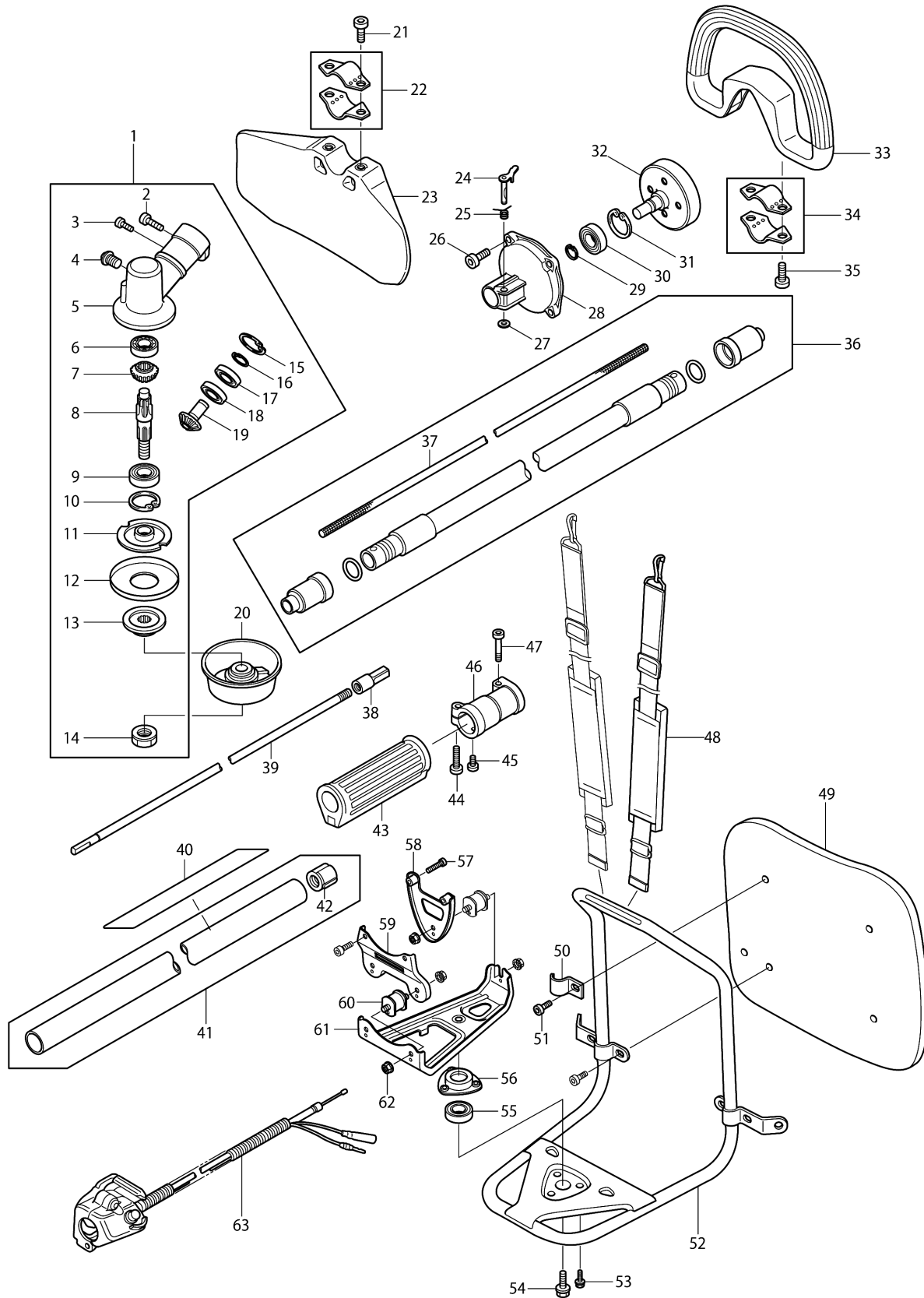
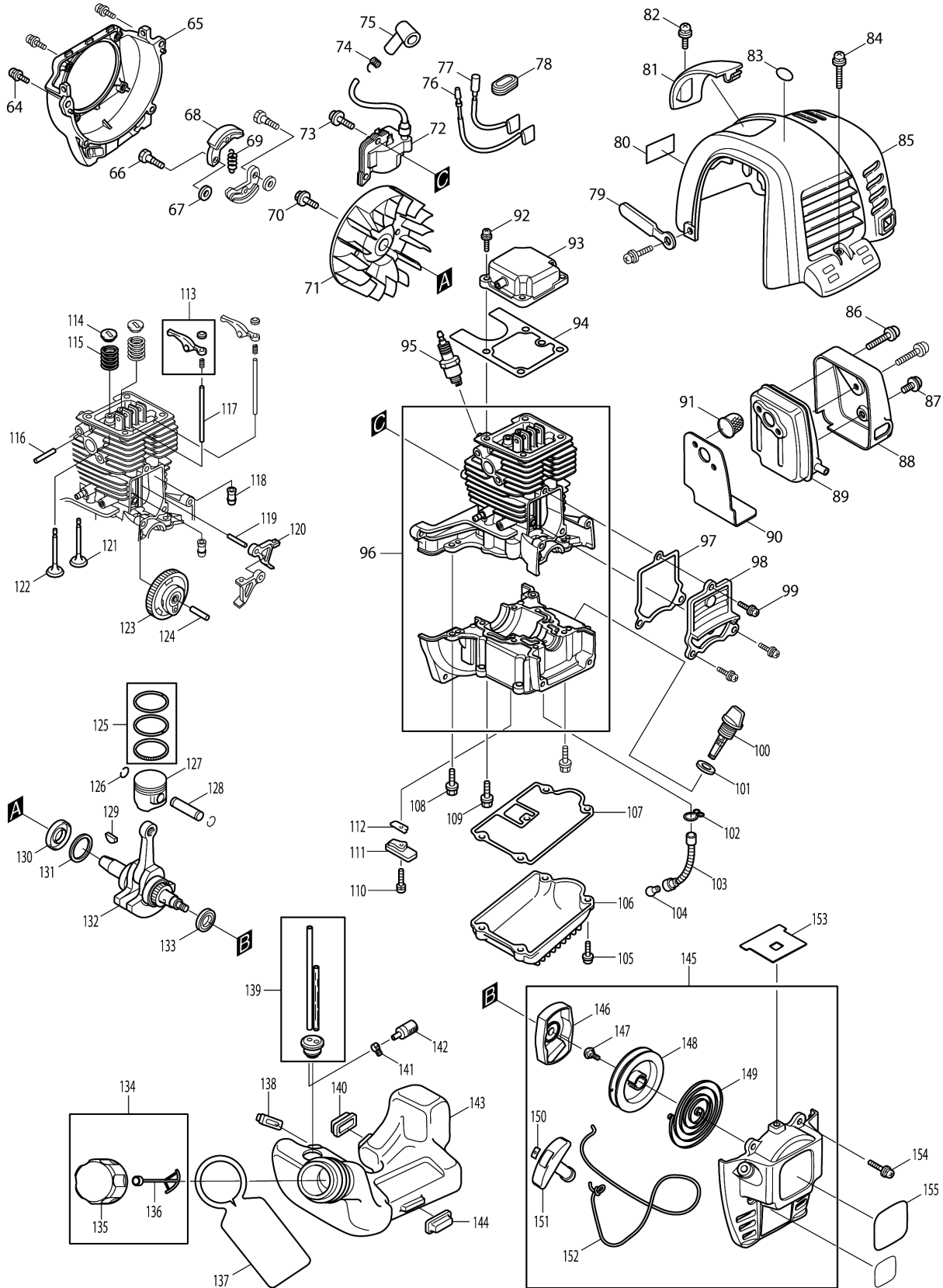


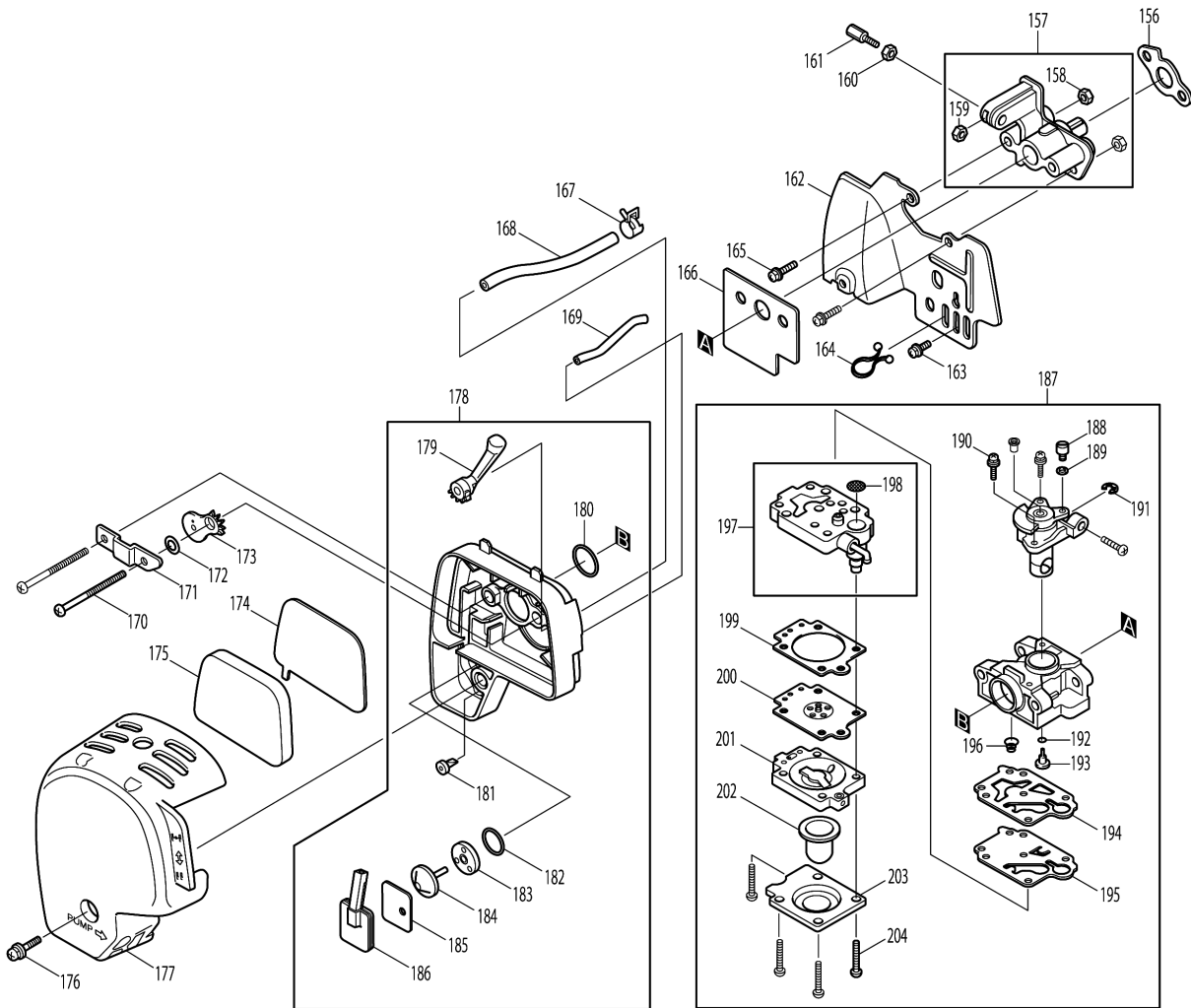
Model No.EBH340R BRUSH CUTTER



Model No.EBH340R BRUSH CUTTER



Model No.EBH340R BRUSH CUTTER



Model No.EBH340R BRUSH CUTTER

รายการ	รหัสอะไหล่	รายละเอียด	การ แลกเปลี่ยน	จำนวน	New/Old	ขาย	ซื้อ	ข้อความ
001	175230020N	GEAR CASE ASSY		1	*			
D10		INC. 2-19			*			
001-1	XNR0000334	GEAR CASE ASSY	O	1	*			
D10		INC. 2-19			*			
001-2	XNR0000489	GEAR CASE ASSY	<	1				
C10	XNR0000493	ANTI-DROP BOLT	S	1				
D10		INC. 2-19						
002	065061800N	TORX SCREW M6X18		1	*			
002-1	XNR0000113	TORX SCREW M6X18	O	1				
003	065051000N	TORX BOLT M5X10		1	*			
003-1	XNR0000094	TORX BOLT M5X10	O	1				
004	110030510N	BOLT SPECIAL		1	*			
004-1	XNR0000217	BOLT	O	1	*			
004-2	XNR0000495	BOLT	S	1				
005	100530111N	GEAR CASE		1	*			
005-1	XNR0000155	GEAR CASE	O	1	*			
005-2	XNR0000490	GEAR CASE	S	1				
006	035600000N	BALL BEARING 6000		1	*			
006-1	XNR0000045	BALL BEARING 6000	O	1				
007	140030200N	GEAR		1	*			
007-1	XNR0000260	GEAR	O	1	*			
007-2	XNR0000491	GEAR	S	1				
008	175030300N	GEAR SHAFT		1	*			
008-1	XNR0000330	GEAR SHAFT	O	1	*			
008-2	XNR0000492	GEAR SHAFT	S	1				
009	035600103N	BALL BEARING 6001LL		1	*			
009-1	XNR0000053	BALL BEARING 6001LL	O	1				
010	045002800N	SNAP RING R-28		1	*			
010-1	XNR0000073	SNAP RING R-28	O	1				
011	100531111N	BLADE HOLDER		1	*			
011-1	XNR0000158	BLADE HOLDER	O	1	*			
011-2	XNR0000494	BLADE HOLDER CP	S	1				
012	108031200N	GRASS COVER(B)		1	*			
012-1	XNR0000473	GRASS COVER(B)	O	1	*			
013	183631300N	BLADE CAP		1	*			
013-1	XNR0000375	BLADE CAP	O	1				
014	174932210N	NUT HEX		1	*			
014-1	XNR0000329	NUT M10X1.25	O	1				
015	045002600N	SNAP RING R-26		1	*			
015-1	XNR0000072	SNAP RING R-26	O	1				

Please order the parts with part number.

Print Date 14/8/2021

Model No.EBH340R BRUSH CUTTER

รายการ	รหัสอะไหล่	รายละเอียด	การ แลกเปลี่ยน	จำนวน	New/Old	ขาย	ซื้อ	ข้อความ
016	045001002N	SNAP RING S-10		1	*			
016-1	XNR0000066	SNAP RING S-10	O	1				
017	035600001C	BALL BEARING #6000Z		1	*			
017-1	XNR0000048	BALL BEARING #6000Z	O	1				
018	035600000N	BALL BEARING 6000		1	*			
018-1	XNR0000045	BALL BEARING 6000	O	1				
019	140030400N	PINION		1	*			
019-1	XNR0000262	PINION	O	1				
020	175131400N	NUT COVER		1	*			
020-1	XNR0000332	NUT COVER	O	1	*			
020-2	XNR0000514	NUT COVER	O	1				
021	065061800N	TORX SCREW M6X18		2	*			
021-1	XNR0000113	TORX SCREW M6X18	O	2				
022	186045200N	GUARD STAY		2	*			
022-1	XNR0000388	GUARD STAY	O	2				
023	170043110N	GUARD		1	*			
023-1	XNR0000302	GUARD	O	1				
024	164619300N	JOINT PIN COMPLETE		1	*			
024-1	XNR0000296	JOINT PIN COMPLETE	O	1				
025	164619600N	PIN SPRING		1	*			
025-1	XNR0000297	PIN SPRING	O	1				
026	065061800N	TORX SCREW M6X18		4	*			
026-1	XNR0000113	TORX SCREW M6X18	O	4				
027	045000505N	SNAP RING E-5		1	*			
027-1	XNR0000065	SNAP RING E-5	O	1				
028	103310100N	CLUTCH HOUSING		1	*			
028-1	XNR0000182	CLUTCH HOUSING	O	1				
029	045001502N	SNAP RING S-15		1	*			
029-1	XNR0000070	SNAP RING S-15	O	1				
030	035620202C	BALL BEARING		1	*			
030-1	XNR0000059	BALL BEARING	O	1				
031	045003500N	SNAP RING R-35		1	*			
031-1	XNR0000075	SNAP RING R-35	O	1				
032	103311100N	CLUTCH DRUM		1	*			
032-1	XNR0000183	CLUTCH DRUM	O	1				
033	106148200N	LOOP HANDLE		1	*			
033-1	XNR0000196	LOOP HANDLE	O	1				
034	186045200N	GUARD STAY		2	*			
034-1	XNR0000388	GUARD STAY	O	2				
035	065061200N	TORX BOLT M6X12		2	*			

Please order the parts with part number.

Print Date 14/8/2021

Model No.EBH340R BRUSH CUTTER

รายการ	รหัสอะไหล่	รายละเอียด	การ แลกเปลี่ยน	จำนวน	New/Old	ขาย	ซื้อ	ข้อความ
035-1	XNR0000109	TORX BOLT M6X12	O	2				
036	174118000N	FLEXIBLE SHAFT/LINER ASSY		1	*			
D10		INC. 37			*			
036-1	XNR0000321	FLEXIBLE SHAFT/LINER ASSY	O	1				
D10		INC. 37						
037	173218500N	FLEXIBLE SHAFT		1	*			
037-1	XNR0000309	FLEXIBLE SHAFT	O	1				
038	102121200N	SHAFT JOINT		1	*			
038-1	XNR0000168	SHAFT JOINT	O	1				
039	102121100N	DRIVE SHAFT		1	*			
039-1	XNR0000167	DRIVE SHAFT	O	1				
040	6119522600	LABEL, CAUTION		1	*			
040-1	6119522601	LABEL, CAUTION	S	1				
041	103220100N	MAIN PIPE COMPLETE		1	*			
D10		INC. 42			*			
041-1	XNR0000179	MAIN PIPE COMPLETE	O	1				
D10		INC. 42						
042	122091211N	BUSHING METAL COMPLETE		8	*			
042-1	XNR0000253	BUSHING METAL COMPLETE	O	8				
043	102225200N	GRIP		1	*			
043-1	XNR0000174	GRIP	O	1	*			
043-2	XNR0000513	GRIP	O	1				
044	065052000N	TORX SCREW M5X20		1	*			
044-1	XNR0000098	TORX SCREW M5X20	O	1				
045	065050810N	TORX SMALL HEAD M5X8		1	*			
045-1	XNR0000092	TORX SMALL HEAD M5X8	O	1				
046	102119100N	CASE JOINT		1	*			
046-1	XNR0000165	CASE JOINT	O	1				
047	065053000N	SCREW		1				
048	103217000N	BAND COMPLETE		1	*			
048-1	XNR0000177	BAND COMPLETE	O	1				
049	106216700N	PAD		1	*			
049-1	XNR0000198	PAD	O	1				
050	103217300N	PLATE(A)		2	*			
050-1	XNR0000178	PLATE(A)	O	2				
051	078051200N	BOLT M5X12		6	*			
051-1	XNR0000120	FLANGE BOLT M5X12	O	6				
052	103215900N	FRAME		1	*			
052-1	XNR0000540	FRAME ASSY	O	1				
053	085051209N	BOLT(3) M5X12		3	*			

Please order the parts with part number.

Print Date 14/8/2021

Model No.EBH340R BRUSH CUTTER

รายการ	รหัสอะไหล่	รายละเอียด	การ แลกเปลี่ยน	จำนวน	New/Old	ขาย	ชื่อ	ข้อความ
053-1	XNR0000122	BOLT(3)M5X12	O	3				
054	014082000N	BOLT(3) M8X20		1	*			
054-1	XNR0000016	BOLT(3)M8X20	O	1				
055	035620102C	BALL BEARING		1	*			
055-1	XNR0000057	BALL BEARING	O	1				
056	164615811N	BEARING COVER		1	*			
056-1	XNR0000293	BEARING COVER	O	1				
057	065052500N	TORX SCREW M5X25		2				
058	106746600N	RECOIL STAY		1	*			
058-1	XNR0000201	RECOIL STAY	O	1				
059	106746500N	HOUSING STAY		1	*			
059-1	XNR0000200	HOUSING STAY	O	1				
060	119115000N	AV RUBBER		3	*			
060-1	XNR0000234	AV RUBBER	O	3				
061	106746100N	ENGIN STAY		1	*			
061-1	XNR0000199	ENGIN STAY	O	1				
062	030061400N	NUT M6		6	*			
062-1	XNR0000029	NUT M6	O	6				
063	099821600N	THROTTEL LEVER AY		1	*			
063-1	XNR0000132	THROTTEL LEVER AY	O	1				
064	0119059531	SOCKET HEAD BOLT M5X16(W,SW)		4	*			
064-1	266813-1	H.S.H.BOLT M5X16 WITH WR	O	4				
065	5935500200	BLOWER HOUSING		1	*			
065-1	318614-4	BLOWER HOUSING	O	1				
066	5938500000	CLUTCH BOLT		2	*			
066-1	5318500503	CLUTCH BOLT M8X13	S	2	*			
066-2	266571-9	SHOULDER HEX. BOLT M8X23	O	2				
067	0200089800	WASHER		2	*			
067-1	267424-5	FLAT WASHER 8	O	2				
068	5318003010	CLUTCH SHOE		2	*			
068-1	168563-3	CLUTCH SHOE	O	2	*			
068-2	125757-3	CLUTCH ASSEMBLY	S	1				
C10	AN04002000	CLUTCH SHOE		2				
D10		INC. 69						
069	5318003020	CLUTCH SPRING		1	*			
069-1	231863-5	TENSION SPRING 9	O	1	*			
069-2	AN02010000	TENSION SPRING 9	S	1	*			
069-3	AN02010C00	TENSION SPRING 9	O	1				
070	0130069940	BOLT ASSEMBLY M6X16(W,SW)		1	*			
070-1	265577-4	HEX HEAD BOLT M6X16	O	1				

Please order the parts with part number.

Print Date 14/8/2021

Model No.EBH340R BRUSH CUTTER

รายการ	รหัสอะไหล่	รายละเอียด	การ แลกเปลี่ยน	จำนวน	New/Old	ขาย	ซื้อ	ข้อความ
071	5937001021	FLYWHEEL		1	*			
071-1	318611-0	FLYWHEEL	O	1	*			
071-2	319035-3	FLYWHEEL	O	1				
072	5927012011	IGNITION COIL		1	*			
072-1	168501-5	IGNITION COIL	O	1	*			
072-2	168816-0	IGNITION COIL	S	1				
073	0043704200	SCREW ASS'Y M4X20		2				
074	0654009931	PLUG CAP SPRING		1	*			
074-1	324891-8	PLUG CAP SPRING	O	1				
075	5927500100	PLUG CAP		1	*			
075-1	424105-6	PLUG CAP	O	1				
076	5927003000	WIRE COMPLETE		1	*			
076-1	638664-6	LEAD UNIT	O	1	*			
076-2	632E38-3	LEAD UNIT	S	1				
077	5257018001	WIRE COMPLETE		1	*			
077-1	638665-4	LEAD UNIT	O	1	*			
077-2	632E39-1	LEAD UNIT	S	1				
078	5257500300	GROMMET		1	*			
078-1	424313-9	GROMMET	O	1				
079	0566059980	CLAMP		1	*			
079-1	345963-6	CLAMP	O	1				
080	5929505200	LABEL,TRADE MARK		1	*			
081	5935500500	PLUG COVER		1	*			
081-1	451876-2	PLUG COVER	O	1	*			
081-2	455001-7	PLUG COVER	O	1				
082	0140059921	SCREW M5X8		1	*			
082-1	266572-7	+ TRUSS HEAD SCREW M5X8	O	1				
083	5929505400	LABEL		1				
084	0140059370	SCREW ASS'Y M5X12		3	*			
084-1	266808-4	P.H.SCREW M5X12 WITH WR	O	3				
085	5935500800	CYLINDER COVER		1	*			
085-1	5935500801	CYLINDER COVER	O	1	*			
085-2	5935500802	CYLINDER COVER	O	1	*			
085-3	451875-4	CYLINDER COVER	O	1				
086	0119059520	SOCKET HEAD BOLT M5X40		2	*			
086-1	266440-4	HEX SOCKET HEAD BOLT M5X40	O	2				
087	0140059962	SCREW M5X5		1				
088	5923503400	MUFFLER COVER		1	*			
088-1	345915-7	MUFFLER COVER	O	1				
089	5923001000	EXHAUST MUFFLER		1	*			

Please order the parts with part number.

Print Date 14/8/2021

Model No.EBH340R BRUSH CUTTER

รายการ	รหัสอะไหล่	รายละเอียด	การ แลกเปลี่ยน	จำนวน	New/Old	ขาย	ซื้อ	ข้อความ
089-1	168469-5	EXHAUST MUFFLER	O	1				
090	5923501601	MUFFLER GASKET		1	*			
090-1	345916-5	MUFFLER GASKET	O	1				
091	5923008011	SPARK ARRESTER		1	*			
091-1	324980-9	SPARK ARRESTER	O	1				
092	0043605160	SCREW ASS'Y M5X16 (W,SW)		4	*			
092-1	266494-1	+ PAN HEAD SCREW M5X16	O	4				
093	5931004000	ROCKER COVER COMPLETE		1	*			
093-1	140419-2	ROCKER COVER COMPLETE	O	1				
094	5931500800	ROCKER COVER GASKET		1	*			
094-1	162307-3	ROCKER COVER GASKET	O	1				
095	0650109950	SPARK PLUG CMR6A		1	*			
095-1	168401-9	SPARK PLUG	O	1				
096	5931005000	CYLINDER BLOCK SET		1	*			
096-1	5931021000	CYLINDER BLOCK SET	S	1	*			
096-2	5931036000	CYLINDER BLOCK SET	S	1	*			
D10		INC. 108,109,118			*			
096-3	123992-7	CYLINDER BLOCK ASSEMBLY	<	1				
C10	424201-0	CHECK VALVE		2				
D10		INC. 108,109,118						
097	5921500700	CAMGEAR COVER GASKET		1	*			
097-1	162274-2	CAM GEAR COVER GASKET	O	1				
098	5921500502	CAMGEAR COVER		1	*			
098-1	318443-5	CAM GEAR COVER	O	1				
099	0043605140	SCREW ASS'Y M5X14		3				
100	5926500600	OIL GAUGE		1	*			
100-1	450565-6	OIL GAUGE	O	1				
101	0213169990	GASKET		1	*			
101-1	424100-6	GASKET	O	1				
102	0561059970	HOSE CLAMP		1	*			
102-1	282020-8	HOSE CLAMP	O	1				
103	5926500200	OIL TUBE		1	*			
103-1	424202-8	OIL TUBE	O	1				
104	5926500300	OIL WEIGHT		1	*			
104-1	325666-8	OIL WEIGHT	O	1				
105	0043605180	SCREW ASS'Y M5X18		4				
106	5936500000	OIL CASE		1	*			
106-1	318612-8	OIL CASE	O	1				
107	5936500100	CASE GASKET		1	*			
107-1	162308-1	CASE GASKET	O	1				

Please order the parts with part number.

Print Date 14/8/2021

Model No.EBH340R BRUSH CUTTER

รายการ	รหัสอะไหล่	รายละเอียด	การ แลกเปลี่ยน	จำนวน	New/Old	ขาย	ซื้อ	ข้อความ
108	0119059470	SOCKET HEAD BOLT M5X16		4	*			
108-1	0119059470	SOCKET HEAD BOLT M5X16	O	4	*			
108-2	266812-3	H.S.H.BOLT M5X16	O	4				
109	0119059860	SOCKET HEAD BOLT M5X33		4	*			
109-1	0119059860	SOCKET HEAD BOLT M5X33	O	4	*			
109-2	266573-5	HEX. SOCKET HEAD BOLT M5X33	O	4				
110	0119049960	SOCKET HEAD BOLT M4X10		1	*			
110-1	266810-7	H.S.H.BOLT M4X10	O	1				
111	5921501100	RETAINER PLATE		1	*			
111-1	318440-1	RETAINER PLATE	O	1				
112	5921501000	REED VALVE		1	*			
112-1	346083-9	LEAD VALVE	O	1				
113	5933002000	ROCKER ARM ASS'Y		2	*			
113-1	125554-7	ROCKER ARM ASSEMBLY	O	2				
114	5933500300	SPRING RETAINER		2	*			
114-1	325912-9	SPRING RETAINER	O	2				
115	5933500200	VALVE SPRING		2	*			
115-1	234181-0	COMPRESSION SPRING 11	O	2	*			
115-2	234181-0	COMPRESSION SPRING 11	O	2				
116	5933500100	ROCKER SHAFT		1	*			
116-1	256200-2	PIN 5	O	1				
117	5933500000	PUSH ROD		2	*			
117-1	256866-8	ROD 2.5	O	2				
118	5921501400	SPACER		2	*			
118-1	5921501400	SPACER	O	2	*			
118-2	424200-2	SPACER	O	2				
119	5923500600	CAM LIFTER SHAFT		1	*			
119-1	268239-3	PIN 4	O	1				
120	5923500001	CAM LIFTER		2	*			
120-1	313169-4	CAM LIFTER	O	2				
121	5933500400	EXHAUST VALVE		1	*			
121-1	325913-7	EXHAUST VALVE	O	1				
122	5933500500	INTAKE VALVE		1	*			
122-1	325914-5	INTAKE VALVE	O	1				
123	5933003000	CAM GEAR ASS'Y		1	*			
123-1	125552-1	CAM GEAR ASSEMBLY	O	1				
124	5923500501	CAM GEAR SHAFT		1	*			
124-1	268238-5	PIN 5	O	1				
125	5932004000	PISTON RING SET		1	*			
125-1	195141-6	PISTON RING SET	O	1				

Please order the parts with part number.

Print Date 14/8/2021

Model No.EBH340R BRUSH CUTTER

รายการ	รหัสอะไหล่	รายละเอียด	การ แลกเปลี่ยน	จำนวน	New/Old	ขาย	ซื้อ	ข้อความ
126	0565099990	CLIP		2	*			
126-1	233983-1	CLIP	O	2				
127	5932500400	PISTON		1	*			
127-1	318613-6	PISTON	O	1				
128	5932500900	PISTON PIN		1	*			
128-1	257796-6	PISTON PIN	O	1				
129	0323039990	WOODRUFF KEY		1	*			
129-1	254040-2	WOODRUFF KEY 3	O	1				
130	0440129950	OIL SEAL (L)		1	*			
130-1	213537-0	OIL SEAL 12	O	1				
131	5932501000	CLIP		1	*			
131-1	267425-3	FLAT WASHER 26	O	1				
132	5932003000	CRANK SHAFT COMPLETE		1	*			
132-1	125756-5	CRANKSHAFT ASSEMBLY	O	1	*			
132-2	125756-5	CRANKSHAFT ASSEMBLY	O	1				
133	0440109970	OIL SEAL (S)		1	*			
133-1	213148-1	OIL SEAL 10	O	1	*			
133-2	213769-9	OIL SEAL 10	O	1				
134	5926017000	FUEL TANK CAP ASSY		1	*			
D10		INC. 135, 136			*			
134-1	125472-9	FUEL TANK CAP ASSEMBLY	O	1	*			
D10		INC. 135, 136			*			
134-2	127108-6	FUEL TANK CAP ASSEMBLY	O	1				
D10		INC. 135, 136						
135	5926016000	CAP,FUEL TANK ASSY		1	*			
135-1	140435-4	FUEL TANK CAP	O	1	*			
135-2	127109-4	FUEL TANK CAP ASSEMBLY	O	1				
136	5256067000	STRAP		1	*			
136-1	140436-2	STRAP COMPLETE	O	1				
137	6249501501	STRAP		1	*			
137-1	810455-9	CAUTION PLATE	<	1				
138	5036500200	PLATE		1	*			
138-1	424102-2	PLATE	O	1				
139	5936003000	TUBE		1	*			
139-1	162309-9	TUBE	O	1				
140	5036500300	PLATE		1	*			
140-1	424103-0	PLATE	O	1				
141	0561059990	HOSE CLAMP		1	*			
141-1	345920-4	HOSE CLAMP	O	1				
142	5236503900	FILTER		1	*			

Please order the parts with part number.

Print Date 14/8/2021

Model No.EBH340R BRUSH CUTTER

รายการ	รหัสอะไหล่	รายละเอียด	การ แลกเปลี่ยน	จำนวน	New/Old	ขาย	ซื้อ	ข้อความ
142-1	163447-0	FUEL FILTER	O	1	*			
142-2	163447-0	FUEL FILTER	O	1				
143	5936500200	FUEL TANK		1	*			
143-1	451877-0	FUEL TANK	O	1				
144	5196500302	DAMPER		1	*			
144-1	424104-8	DAMPER	O	1				
145	5935002000	COVER STARTER AY		1	*			
D10		INC. 146-152			*			
145-1	195142-4	RECOIL STARTER SET	O	1				
D10		INC. 146-152						
146	5315023000	PULLEY		1	*			
146-1	165606-2	PULLEY	O	1	*			
146-2	168827-5	PULLEY	O	1				
147	5425003010	SET SCREW		1	*			
147-1	266580-8	TAPPING SCREW 5X10	O	1				
148	5315022020	REEL		1	*			
148-1	451923-9	REEL	O	1				
149	5025001020	SPIRAL SPRING		1	*			
149-1	232257-7	SPIRAL SPRING	O	1				
150	5315001030	STOPPER		1	*			
150-1	424360-0	ROPE STOPPER	O	1				
151	5215002110	STARTER KNOB		1	*			
151-1	424317-1	STARTER KNOB	O	1				
152	5315022040	STARTER ROPE		1	*			
152-1	444018-5	STARTER ROPE	O	1				
153	5935502400	GASKET,STARTER		1				
154	0140059480	SCREW ASS'Y M5X14		4	*			
154-1	266809-2	P.H.SCREW M5X14 WITH WR	O	4				
155	6119522500	LABEL MODEL		1				
156	5923501801	INSULATOR GASKET		1	*			
156-1	5923504700	INSULATOR GASKET	S	1	*			
156-2	413120-5	INSULATOR GASKET	O	1				
157	5923005002	INSULATOR COMPLETE		1	*			
D10		INC. 158, 159			*			
157-1	5933018000	INSULATOR COMPLETE	S	1	*			
157-2	451874-6	INSULATOR	O	1				
158	0021705000	NUT M5		2	*			
159	0022706000	NUT M6		1	*			
160	0022706000	NUT M6		1	*			
161	0149069961	SCREW CABLE ADJ		1	*			

Please order the parts with part number.

Print Date 14/8/2021

Model No.EBH340R BRUSH CUTTER

รายการ	รหัสอะไหล่	รายละเอียด	การ แลกเปลี่ยน	จำนวน	New/Old	ขาย	ซื้อ	ข้อความ
161-1	325663-4	ADJUST SCREW	O	1				
162	5933500600	CARBURETOR INSULATOR		1	*			
162-1	346261-1	CARBURETOR INSULATOR	O	1				
163	0140059370	SCREW ASS'Y M5X12		1	*			
163-1	0119059780	SOCKET HEAD BOLT M5X12	O	1	*			
163-2	922213-2	H.S.H.BOLT M5X12 WITH WR	O	1				
164	5926501300	CLAMP		1	*			
164-1	450562-2	CLAMP	O	1				
165	0043605180	SCREW ASS'Y M5X18		2	*			
165-1	0119059870	SOCKET HEAD BOLT M5X18	O	2	*			
165-2	266787-6	H.S.H.BOLT M5X18 WITH WR	O	2				
166	5923501900	CARBURETOR GASKET		1	*			
166-1	413138-6	CARBURETOR GASKET	O	1				
167	0561080010	HOSE CLAMP		1	*			
167-1	345918-1	HOSE CLAMP	O	1				
168	5931500900	BREATHER PIPE		1	*			
168-1	422055-9	BREATHER PIPE	O	1				
169	5923503001	PIPE		1	*			
169-1	422042-8	PIPE	O	1				
170	5923503100	SCREW M5X68 (W,SW SUS)		2	*			
170-1	265188-5	+PAN HEAD SCREW M5X68	O	2				
171	5923502600	PLATE		1	*			
171-1	345919-9	PLATE	O	1				
172	0213069990	GASKET		1	*			
172-1	423376-2	GASKET	O	1				
173	5923502301	CHOKE PLATE		1	*			
173-1	450560-6	CHOKE PLATE	O	1				
174	5933500900	AIR CLEANER ELEMENT		1	*			
174-1	443140-5	AIR CLEANER ELEMENT	O	1				
175	5933501200	AIR CLEANER ELEMENT		1	*			
175-1	443141-3	AIR CLEANER ELEMENT	O	1				
176	0140059480	SCREW ASS'Y M5X14		1	*			
176-1	266809-2	P.H.SCREW M5X14 WITH WR	O	1				
177	5933500800	AIR CLEANER COVER		1	*			
177-1	450561-4	AIR CLEANER COVER	O	1				
178	5933001000	CLEANER PLATE ASS'Y		1	*			
D10		INC. 179-186			*			
178-1	125468-0	CLEANER PLATE ASSEMBLY	O	1				
D10		INC. 179-186						
179	5923502200	CHOKE LEVER		1	*			

Please order the parts with part number.

Print Date 14/8/2021

Model No.EBH340R BRUSH CUTTER

รายการ	รหัสอะไหล่	รายละเอียด	การ แลกเปลี่ยน	จำนวน	New/Old	ขาย	ซื้อ	ข้อความ
179-1	451925-5	CHOKE LEVER	O	1				
180	0240159990	O RING P15		1	*			
180-1	213540-1	O RING 15	O	1				
181	5923502400	CHECK VALVE (1)		1	*			
181-1	424316-3	CHECK VALVE	O	1				
182	0240139970	O RING P14		1	*			
182-1	213539-6	O RING 14	O	1				
183	5923502500	CHECK VALVE PLATE		1	*			
183-1	451924-7	CHECK VALVE PLATE	O	1				
184	5316500701	CHECK VALVE		1	*			
184-1	424315-5	CHECK VALVE	O	1				
185	5923503500	GASKET SEPARATOR		1	*			
185-1	168577-2	SEPARATOR GASKET	O	1				
186	5933501600	SEPARATOR PLATE		1	*			
186-1	168576-4	SEPARATOR PLATE	O	1				
187	5936004000	CARBURETOR		1	*			
D10		INC. 188-197, 199-204			*			
187-1	168561-7	CARBURETOR	O	1	*			
D10		INC. 188-197, 199-204			*			
187-2	168561-7	CARBURETOR	<	1				
D10		INC. 188-197, 199-204						
188	5236018040	SWIVEL		1	*			
188-1	325922-6	SWIVEL	O	1				
189	5426005030	WASHER		1	*			
189-1	413140-9	WASHER	O	1				
190	5206008030	PAN HEAD SCREW		2	*			
190-1	266581-6	PAN HEAD SCREW M3X8 WITH W	O	2	*			
190-2	WJ00096364	SCREW M3X8 WITH WASHER	O	2				
191	5316005120	RING		1	*			
191-1	257964-1	STOP RING E-3	O	1				
192	5246001010	O RING		1	*			
192-1	213538-8	O RING 2	O	1				
193	5936002010	JET		1	*			
193-1	325921-8	JET	O	1	*			
193-2	5926007011	JET #36.5	<	1				
194	5926002040	PUMP GASKET		1	*			
194-1	442155-9	PUMP GASKET	O	1				
195	5246001040	PUMP DIAPHRAGM		1	*			
195-1	168575-6	PUMP DIAPHRAGM	O	1	*			
195-2	WJ00009599	PUMP DIAPHRAGM	O	1				

Please order the parts with part number.

Print Date 14/8/2021

Model No.EBH340R BRUSH CUTTER

รายการ	รหัสอะไหล่	รายละเอียด	การ แลกเปลี่ยน	จำนวน	New/Old	ขาย	ซื้อ	ข้อความ
196	5926002020	PUMP SPRING		1	*			
196-1	234183-6	CONICAL COMPRESSION SPRING 5-9	O	1				
197	5926002140	PUMP BODY ASS'Y		1	*			
D10		INC. 198			*			
197-1	140437-0	PUMP BODY	O	1				
D10		INC. 198						
198	5016004010	INLET SCREEN		1	*			
198-1	352010-6	INLET SCREEN	O	1	*			
198-2	WJ00014070	INLET SCREEN	O	1				
199	5236046040	METERING DIAPHRAGM GASKET		1	*			
199-1	442154-1	METERING DIAPHRAGM GASKET	O	1				
200	5926008010	METERING DIAPHRAGM ASS'Y		1	*			
200-1	168574-8	METERING DIAPHRAGM	O	1	*			
200-2	WJ00963279	SCREW	O	1	*			
200-3	WJ00095586	DIAPHRAGM ASS'Y	X	1	*			
200-4	168620-7	METERING DIAPHRAGM	<	1				
201	5236046140	AIR PURGE BODY ASS'Y		1	*			
201-1	140438-8	AIR PURGE BODY	O	1				
202	5246001150	PRIMER PUMP		1	*			
202-1	424314-7	PRIMER PUMP	O	1				
203	5236046050	PRIMER PUMP COVER		1	*			
203-1	346270-0	PRIMER PUMP COVER	O	1				
204	5236046010	PUMP COVER SCREW		4	*			
204-1	266582-4	TAPPING SCREW 3X24	O	4				
205	6249509201	LABEL		1	*			
205-1	819312-8	MAKITA LOGO LABEL	O	1				
206	5933504000	PIPE, INTAKE		1	*			
206-1	325915-3	INTAKE PIPE	O	1				
207	0062610101	O RING		1	*			
207-1	213078-6	O-RING 10	O	1	*			
207-2	213063-9	O RING 10	<	1				
208	0200109870	WAVE WASHER		2	*			
208-1	267832-0	WAVE WASHER 10	O	2	*			
208-2	267849-3	WAVE WASHER 10	O	2				
209	814995-9	SERIAL LABEL		1	*			
209-1	850C10-3	SERIAL NO. LABEL	<	1				
A01	6418501400	CUTTER 255X4		1	*			
A01-1	6348500200	CUTTER	<	1	*			
A01-2	A-53958	TIPPED SAW BLADE 255	O	1	*			

Please order the parts with part number.

Print Date 14/8/2021

Model No.EBH340R BRUSH CUTTER

รายการ	รหัสอะไหล่	รายละเอียด	การ แลกเปลี่ยน	จำนวน	New/Old	ขาย	ซื้อ	ข้อความ
A01-3	A-56932	TIPPED SAW BLADE 255	O	1				
A02	0722105000	OIL BOTTLE		1	*			
A02-1	242072-1	OIL BOTTLE	O	1				
A03	6418500701	CUTTER COVER		1	*			
A03-1	6418027000	CUTTER COVER	O	1	*			
A03-2	456924-2	TOOL COVER	O	1				
A04	060040000N	ALLEN WRENCH 4MM		1	*			
A04-1	XNR0000088	ALLEN WRENCH M4	O	1				
A05	060000015N	BOX WRENCH		1	*			
A05-1	XNR0000080	BOX WRENCH 13X19	O	1				
A06	302040600N	SPANNER 8X10		1	*			
A06-1	XNR0000394	SPANNER 8X10	O	1				
A07	060000026N	PLUG SOCKET		1	*			
A07-1	XNR0000085	PLUG SOCKET	O	1				
A08	099806500N	CORD STRAP		3	*			
A08-1	XNR0000126	CORD STRAP	O	3				
A09	6119522700	INSTRUCTION MANUAL		1	*			
A10	060000022N	TOOL BAG		1	*			
A10-1	XNR0000086	TOOL BAG	O	1				

Please order the parts with part number.

Print Date 14/8/2021